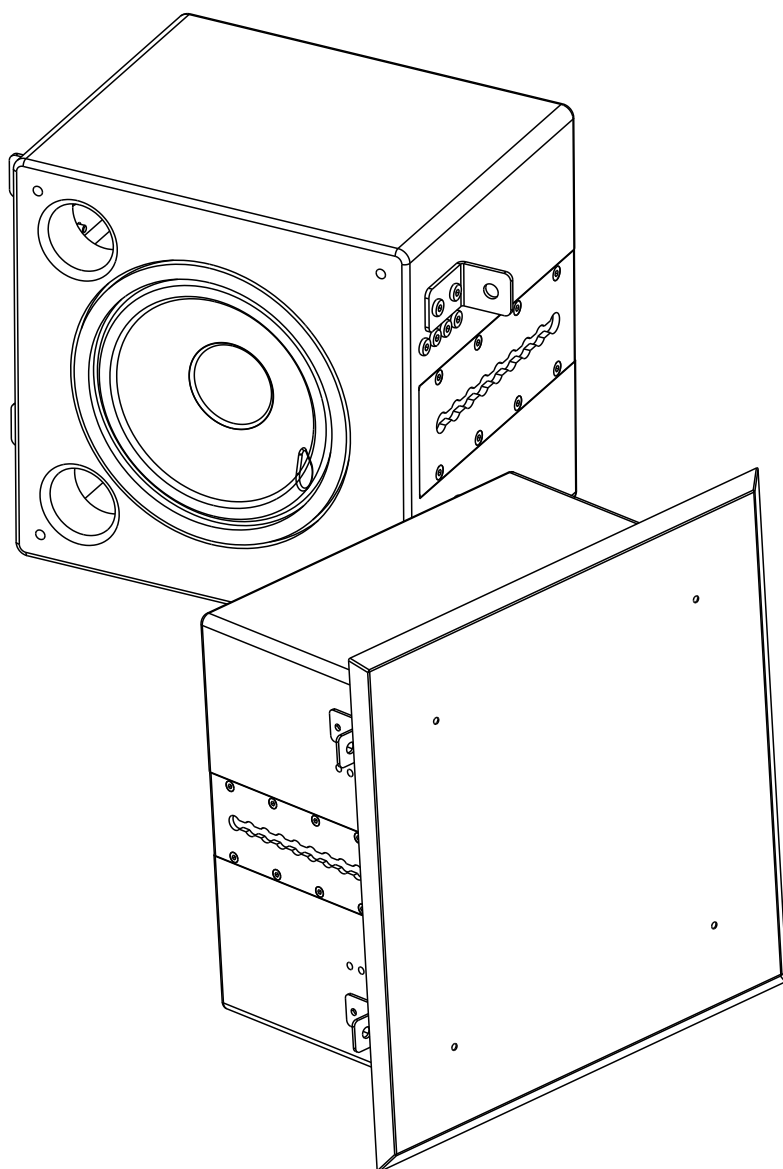




Beta Three



BT8/V

8" Two Way Full Range Speaker

User Manual





UM- BT8/V- 20120805 ver A



SAFETY INSTRUCTIONS


PLEASE READ THIS MANUAL FIRST

Thank you for a buying β_3 product. Read this manual first as it will help you operate the system properly. Please keep this manual for future reference.

⚠ WARNING: *This product must be installed by professionals. When using hanging brackets or rigging other than those supplied with the product, please ensure they comply with the local safety codes.*

	CAUTION RISK OF ELECTRICAL SHOCK DO NOT OPEN	
CAUTION: TO REDUCE THE RISK OF ELECTRIC SHOCK, DO NOT REMOVE COVER (OR BACK). NO USER-SERVICABLE PARTS INSIDE. REFER SERVICING TO QUALIFIED PERSONNEL.		

	AVIS RISQUE DE CHOC ÉLECTRIQUE NE PAS OUVRIR	
ATTENTION : POUR RÉDUIRE LE RISQUE DE DÉCHARGE ÉLECTRIQUE, NE RETIREZ PAS LE COUVERCLE (OU L'ARRIÈRE). IL NE SE TROUVE À L'INTÉRIEUR AUCUNE PIÈCE POUVANT ÊTRE RÉPARÉE PAR L'USAGER. S'ADRESSER À UN RÉPARATEUR COMPÉTENT.		

 *The exclamation point within an equilateral triangle is intended to alert you to the presence of important operating and servicing instructions.*

⚠ ATTENTION: *Don't refit the system or spare parts without being authorized as this will void the warranty.*


⚠ WARNING: *Don't place naked flames (such as candles) close to the equipment.*

1. Read the instruction manual first before using this product.
2. Please keep this manual for future reference
3. Pay attention to all warnings.
4. Obey all operating instructions.
5. Do not expose this product to rain or moisture.
6. Clean this equipment with a dry cloth.
7. Do not block any ventilation openings. Install according to manufacturer's instructions .
8. Do not install this product near any heat source, such as a, heater, burner, or any other equipment with heat radiation .
9. Only use spare parts supplied by the manufacturer.
10. Pay attention to the safety symbol on the outside of the cover.



CONTENT

PRODUCT INTRODUCTION	3
Main Features	3
Product Description	3
Applications	3
CONNECTION	4
Push Terminals	4
System Reference Diagram	4
INSTALLATION	5
Optional Installation Accessories	5
Installation Options	5
TECHNICAL SPECIFICATIONS	6
Specifications	6
Frequency Response and Impedance Curve	6
Dimensions	7

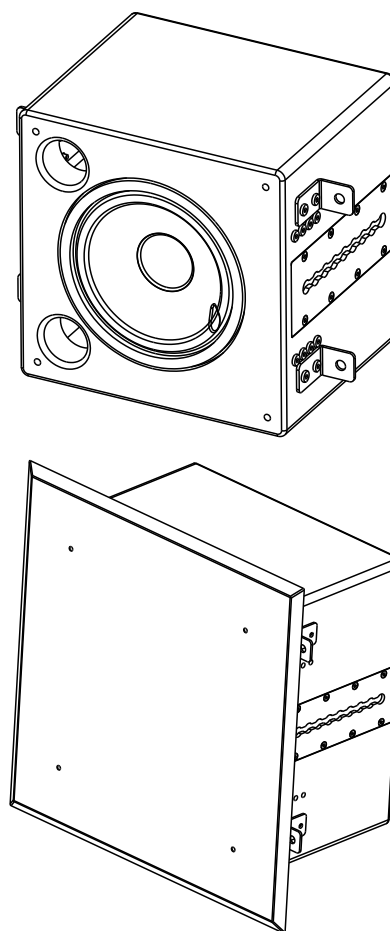
 Product information may be updated without notification, please visit www.elderaudio.com for latest update.

BT8/V

8" Two Way Full Range Speaker

Main Features

- With 8 inches all frequency unit and 3 inches compression of speaker.
- Frequency response 80Hz-15kHz(-3dB).
- Sensitivity 95dB, Max SPL 114dB.
- Dispersion 80° x 80°.
- Rated power 80w, max power 320w.
- MDF cabinet with durable textured paint finish .
- Can be installed alone or stacked in multiples using the optional accessories.Suitable for many venues including inside and outside undercover environments.
- Designed for high speech intelligibility and natural sounding music.



Product Description

This unit is mainly used for public broadcasting. Strict quality control during the R&D, manufacturing, materials inspection, procedure inspection and shipment inspection make sure every unit meet the high standard demand.

The cabinet is made of high intensity E1 level MDF board with fireproof feature. Special multilayer white painting with scratch-resistant and erode-resistant feature protect the cabinet surface perfect. Selected PLYESTERPOLYESTER damping materials absorb cabinet staqnd wave wave effectively. Built-in crossover circuit and different voltage output give the user more options.

Flying configuration adopts scratch-resistant and rusty-resistant aluminum alloy and special surface finish in order to meet the different application environments, various flying modes are available. the mounting height at vertical direction can be adjustable. Wire clip is very convenient for connection and installation.

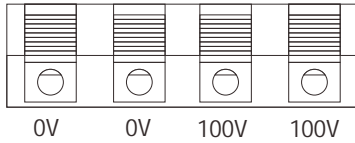
Aiming at this special cabinet, the transducers used are optimized by our experienced engineers, whom focus on the magnetic system and vibration system. To get the excellent performance, the engineers take a lot of advanced technology to decrease the magnetic impendence and lower the magnetic leakage, and not increase the transducer weight.

Applications

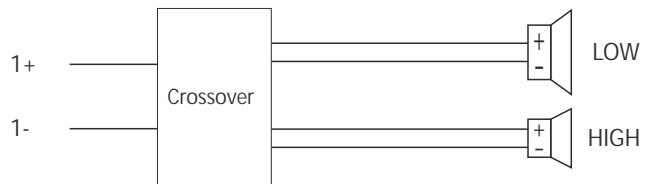
- churches/temples
- multifunction halls
- meeting rooms
- schools
- small auditoriums
- shopping malls
- transport terminals
- theme parks

The 4 way push terminal connectors are available for amplifier connections. Paralleled connector is very convenient for another speaker connection.

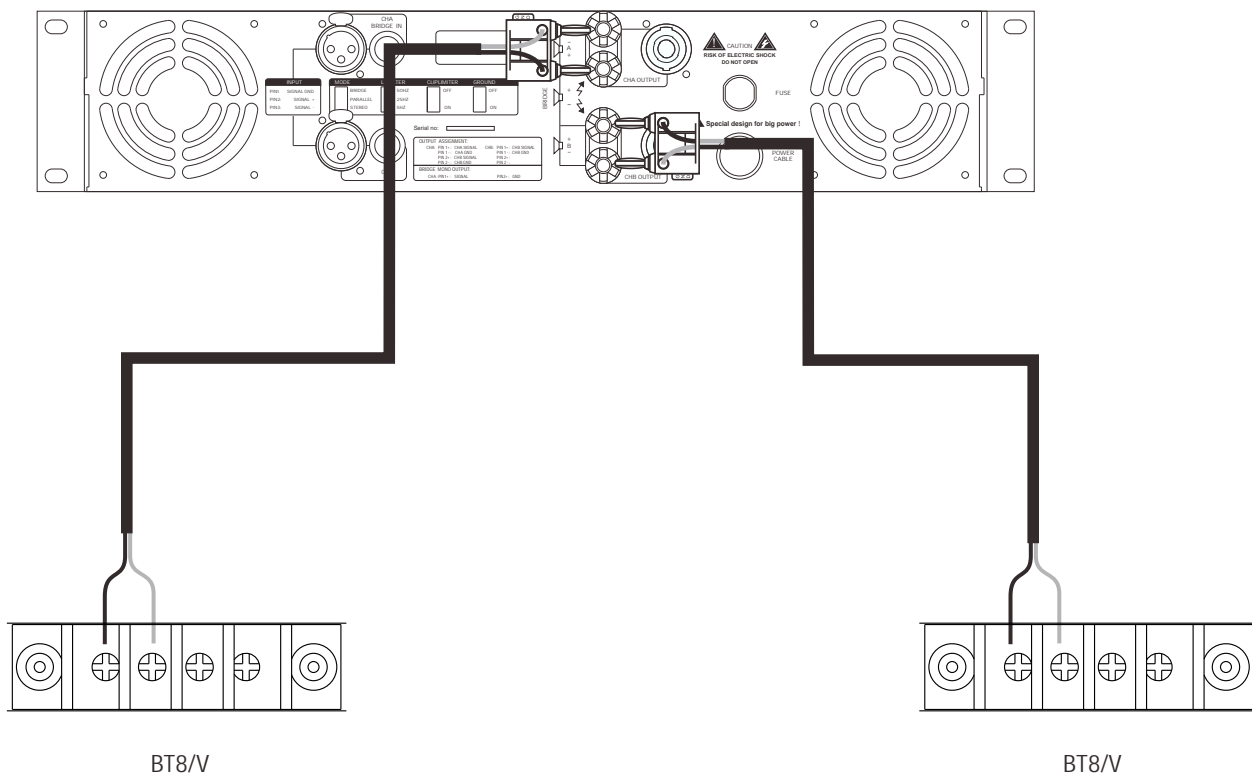
Push Terminals



1 + 1- INPUT



System Reference Diagram

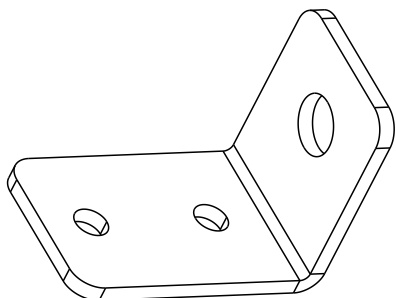


- Attention: The impedance of connected speaker must match the impedance of amplifier output.
- Attention: Make sure the polarity of speaker and amplifier correctly.

Installation Accessories(Optional)

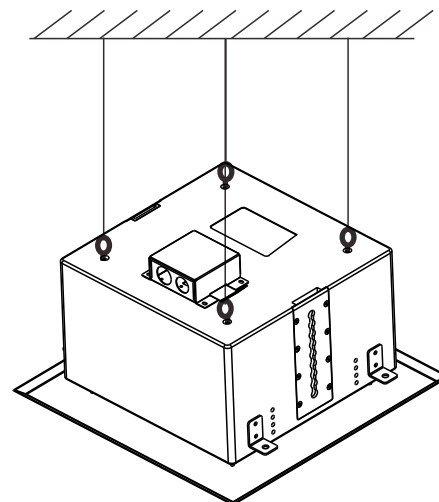
The standard flying mounting hardware is very convenient for different installations and applications.

1.Bracket

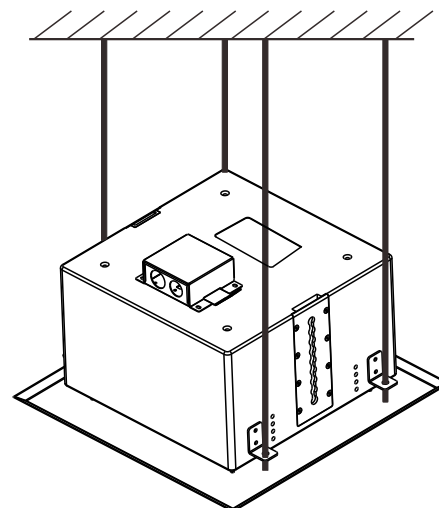



Installation Reference

1.Hanging A



2.Hanging B



 **Warning:** Always ensure the mounting accessories safety factor is not less than 5:1 or that it meets the local standards.

Specifications

Product:	Passive Wooden Speaker
Transducer:	1x 8" LF , 1x3" HF
Frequency Response(-3dB): ¹	80Hz-15kHz
Frequency Response(-10dB):	70Hz-20kHz
Sensitivity(1W@1m): ²	95dB
Maximum. SPL(1m): ³	114dB/120dB (PEAK)
Power:	80W (RMS) ⁴ 160W (MUSIC) 320W (PEAK)
Dispersion Angle(HxV):	80° x 80°
Rated Voltage:	100V
Cabinet:	12mm MDF
Installation:	Mounting bracket included and optional mounting points provided.
Paint:	White durable textured finish
Grill:	White powder coated , 1.5mm steel mesh.
Connector:	Screw terminal
Dimension(WxDxH):	420 × 260 × 420mm (16.5 × 10.2 × 16.5in)
Packing Dimension(WxDxH):	490 × 375 × 490mm (19.3 × 14.8 × 19.3in)
Net Weight:	8.5kg(18.7 lb)
Gross Weight:	10.0kg(22.0 lb)

Speaker Testing Method

1. Frequency Response

Use Pink noise to test the speaker in the anechoic chamber, adjust the level to make the speaker work at its rated impedance and set the output power at 1W, then test the frequency response 1m away from the speaker.

2. Sensitivity

Use full range Pink noise which has been modified using an EQ curve to test the speaker in the anechoic chamber, increasing the signal to make the speaker work at its rated impedance and set the power output at 1W, then test the sensitivity 1m away from the speaker.

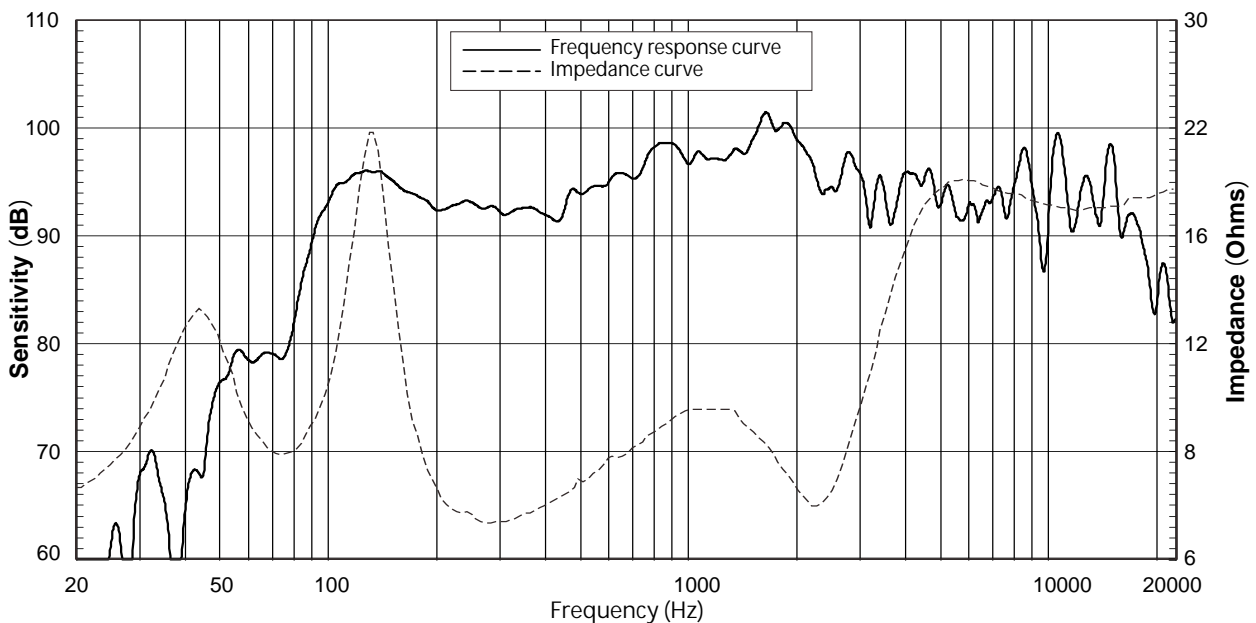
3. MAX.SPL

Use full range Pink noise which has been modified using an EQ curve to test the speaker in the anechoic chamber , increase the signal to make the speaker work at its maximum power output level, then test the SPL1m away from the speaker.

4. Rated Power

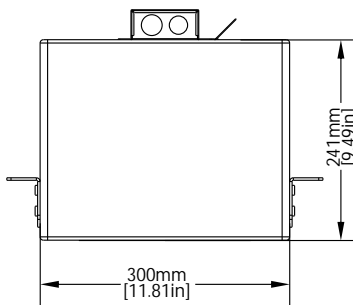
Use Pink noise to the IEC#268-5 standard to test the speaker, increase the signal for a continuous period of 100 hours, the rated power is the power when the speaker will show no visible or measurable damage.

Frequency response curve & Impedance curve

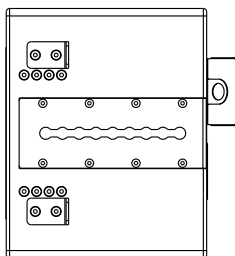


Dimensions

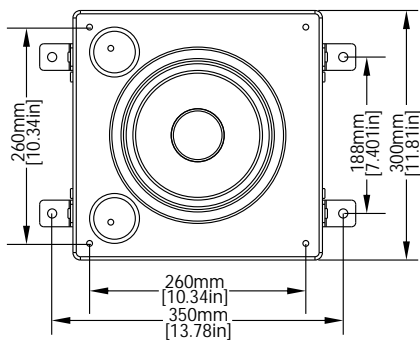
Top view



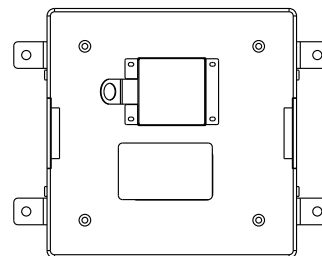
Side view



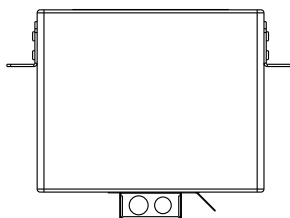
Front view



Back view



Bottom view



Notes:



Beta Three