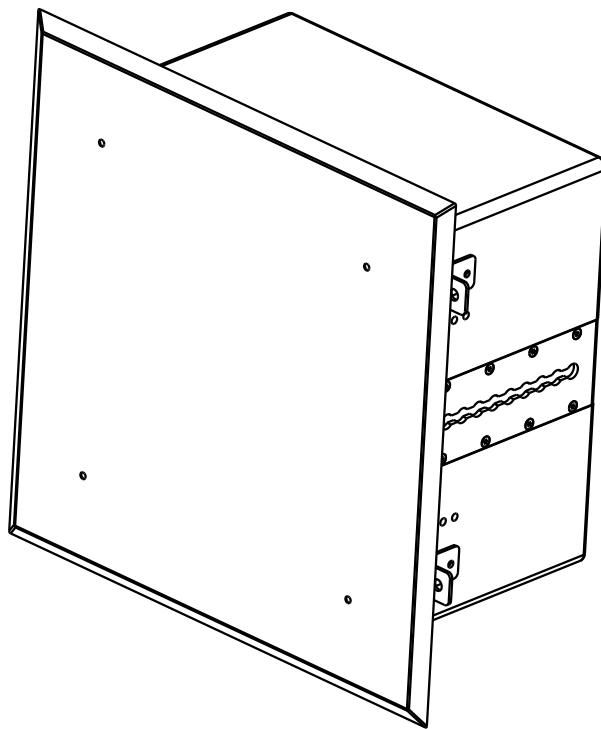




Beta Three

BT10V





CONTENTS

FEATURE	1
SPECIFICATION	1
ACOUSTIC CHARTS	2
INSTALLATION	6
DIMENSIONS	6
LIMITED WARRANTY	7

BT10V

FEATURE

This unit is mainly used for public broadcasting. Strict quality control during the R&D, manufacturing, materials inspection, procedure inspection and shipment inspection make sure every unit meet the high standard demand.

The cabinet is made of high intensity E1 level MDF board with fireproof feature. Special multilayer white painting with scratch-resistant and erode-resistant feature protect the cabinet surface perfect. Selected POLYESTER damping materials absorb cabinet stand wave effectively. Built-in crossover circuit and different voltage output give the user more options

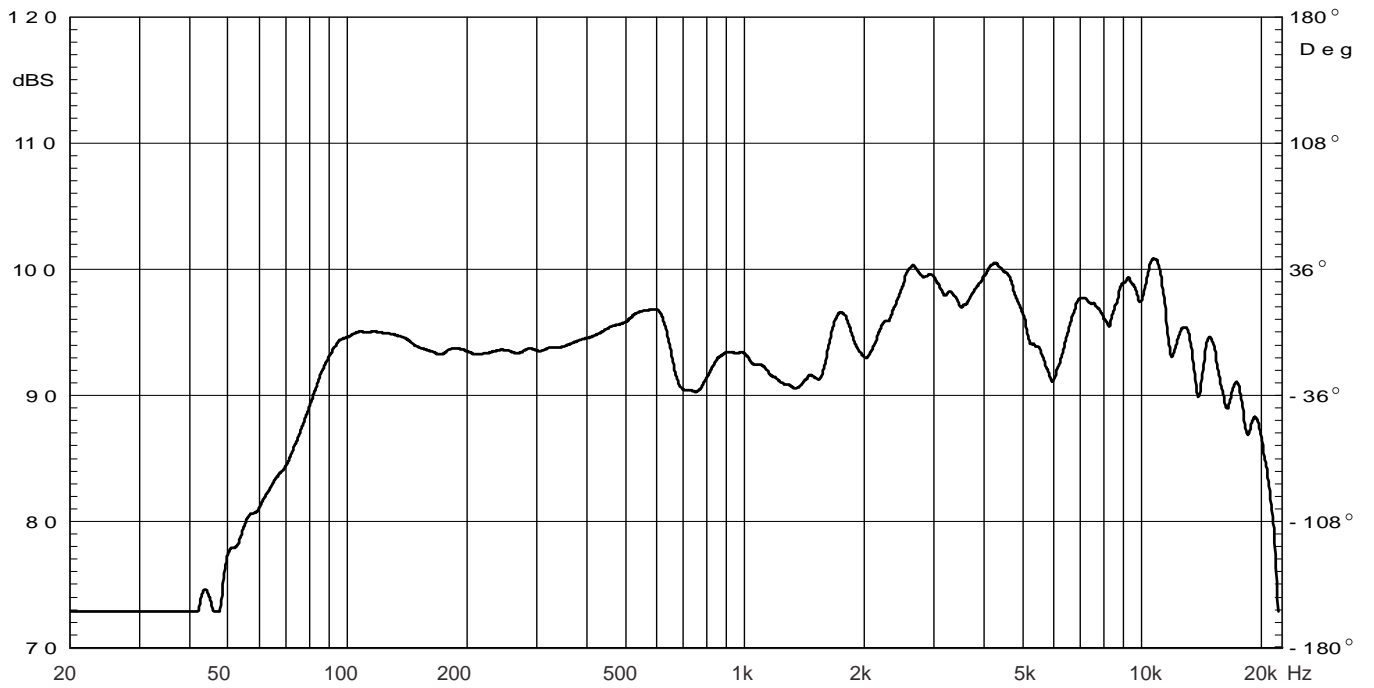
Flying configuration adopts scratch-resistant and rusty-resistant aluminum alloy and special surface finish in order to meet the different application environments, various flying modes are available. The mounting height at vertical direction can be adjustable. Wire clip is very convenient for connection and installation.

Aiming at this special cabinet, the transducers used are optimized by our experienced engineers, whom focus on the magnetic system and vibration system. To get the excellent performance, the engineers take a lot of advanced technology to decrease the magnetic impedance and lower the magnetic leakage, and not increase the transducer weight.

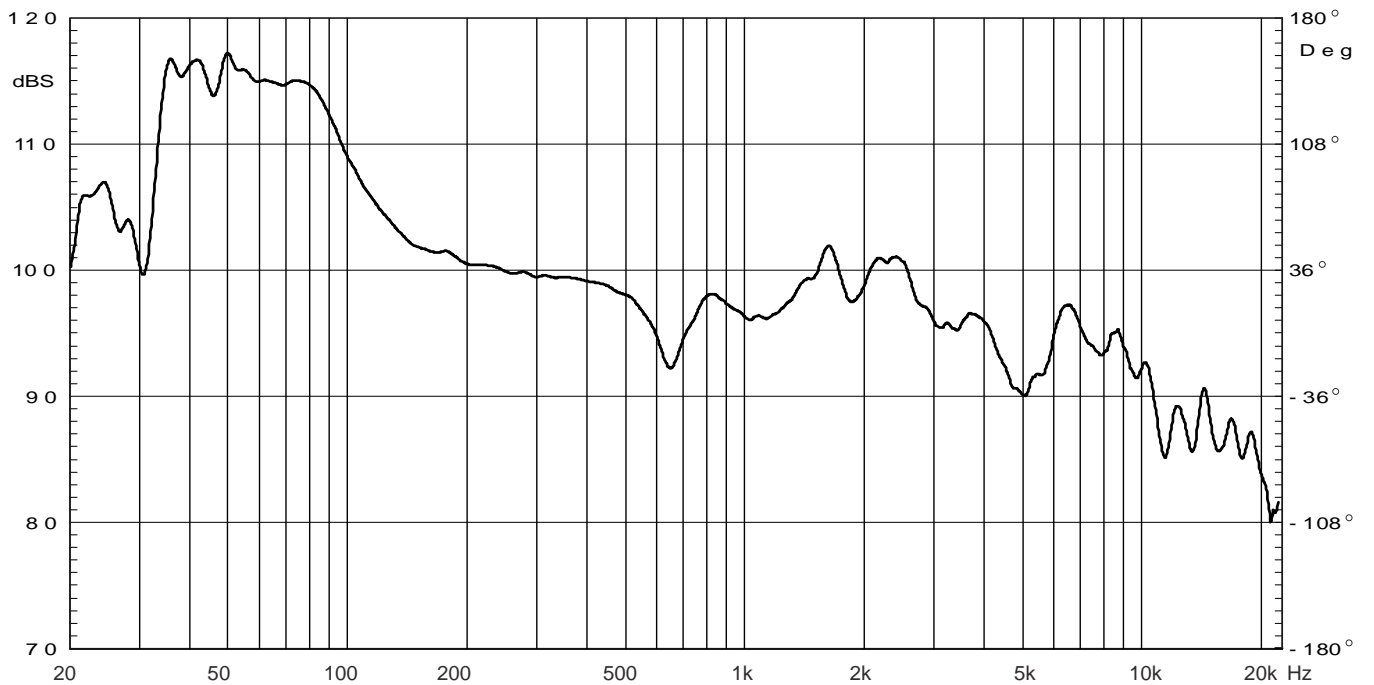
SPECIFICATION

Transducer	LF:10' x 1, HF:1.7' x 1
Frequency response(-3dB)	65Hz-15kHz
Sensitivity(1W/1m)	95dB
SPL(1m)	115dB
Max.SPL(1m)	121dB
Power(RMS)	100W
Power(Program)	200W
Power(Peak)	400W
Dispersion (H x V)	80° x 80°
THD	< 3%
Input Connectors	Screw terminal
Net Weight	17.6kg
Gross Weight	19.4kg
Dimension(W x D x H)	400 x 260 x 400mm
Packing Dimension(W x D x H)	610 x 610 x 372mm

FREQUENCY RESPONSE

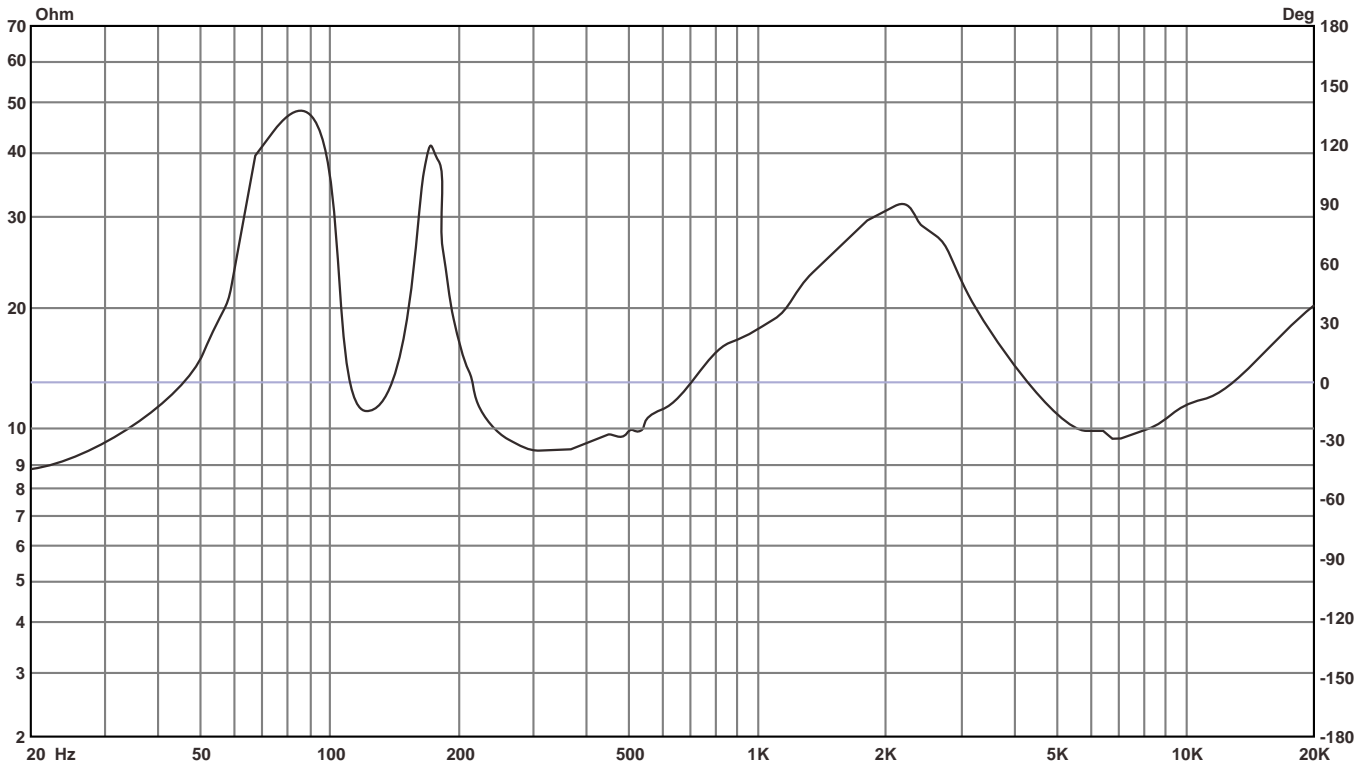


PHASE RESPONSE

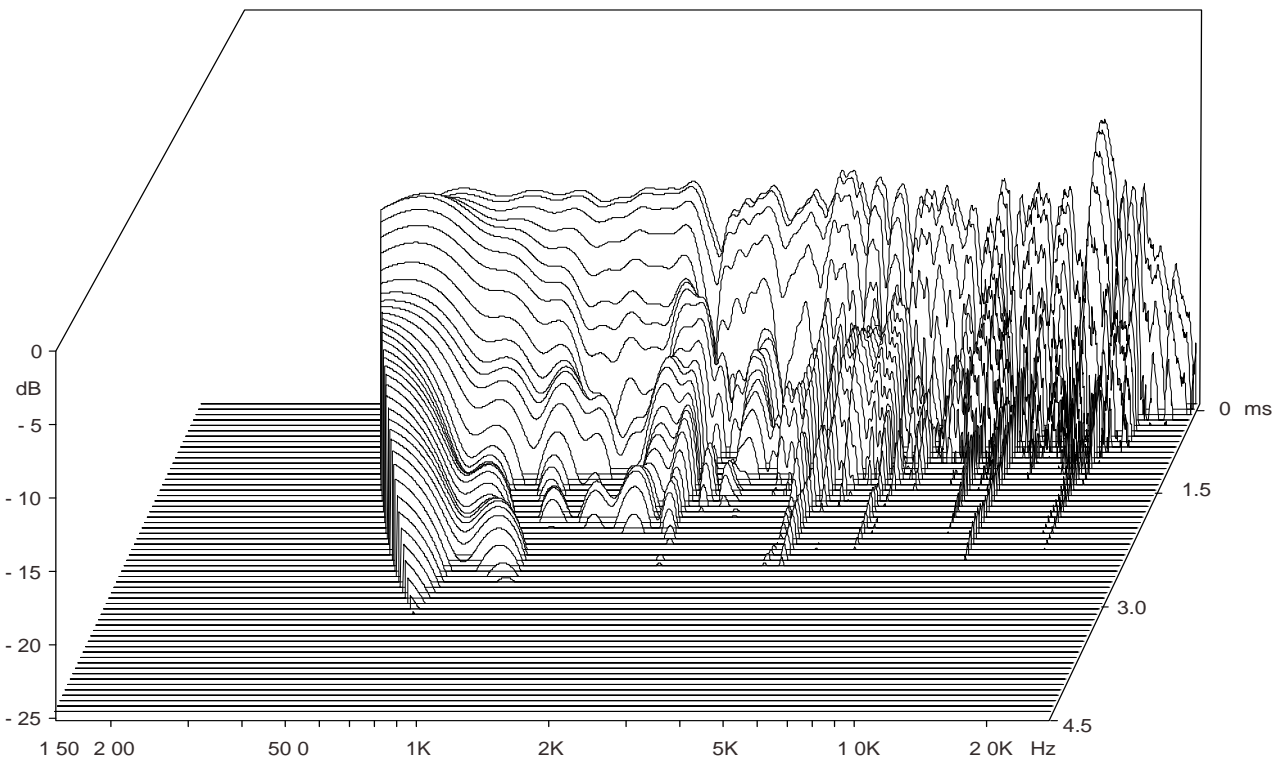


BT10V

IMPEDANCE RESPONSE



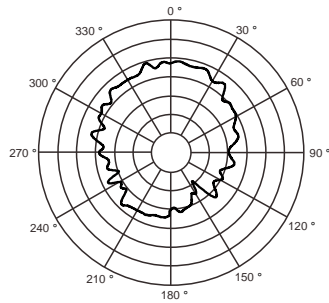
WATERFALL



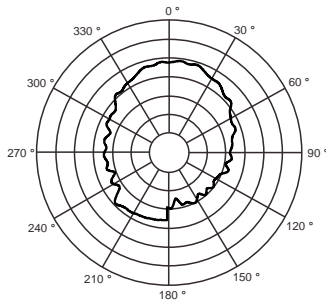
BT10V

HORIZONTAL DIRECTIVITY

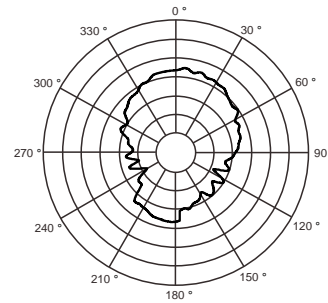
The data of BT10V horizontal directivity were collected by testing the speaker system in a big anechoic chamber.



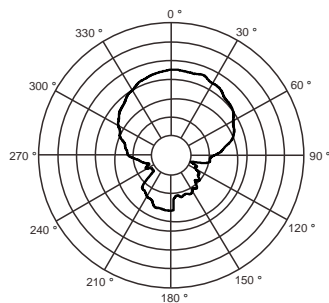
100Hz



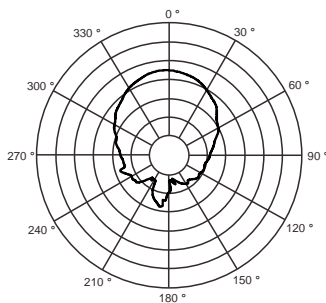
160Hz



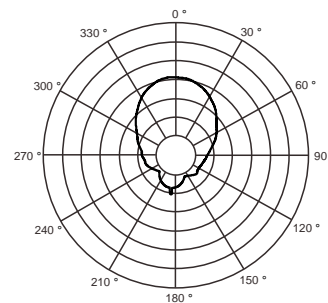
200Hz



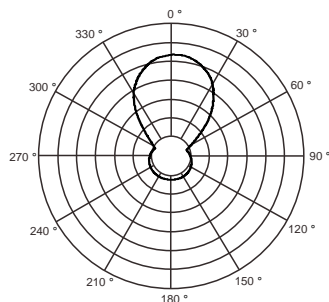
400Hz



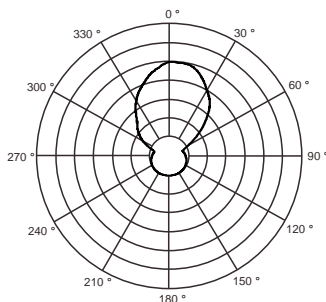
630Hz



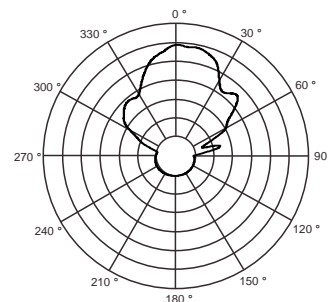
1.0kHz



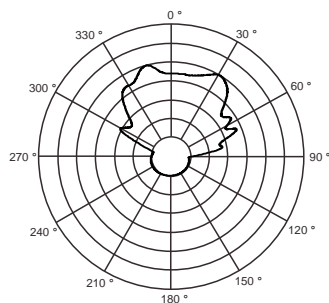
1.6kHz



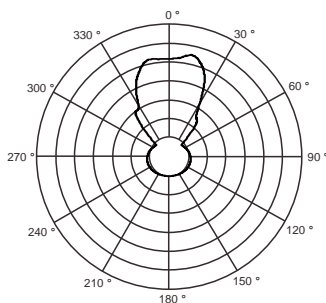
2.5kHz



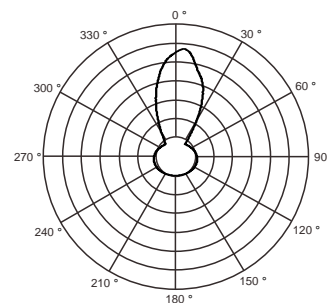
3.15kHz



6.3kHz



10kHz

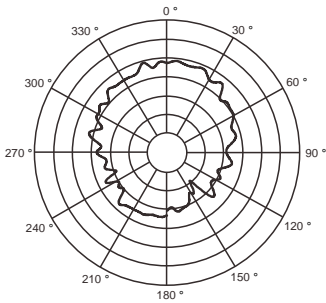


16kHz

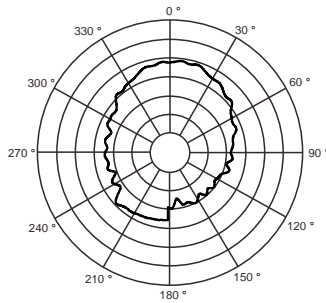
The scale is stepped by 6dB increment.

VERTICAL DIRECTIVITY

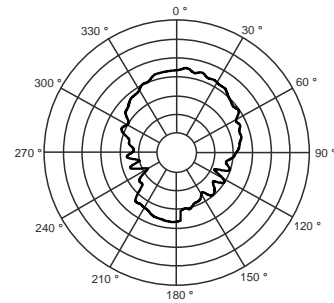
The data of BT10V vertical directivity were collected by testing the speaker system in a big anechoic chamber.



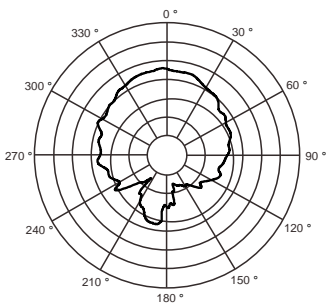
100Hz



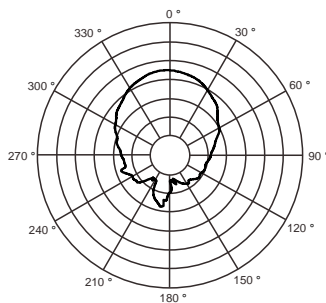
160Hz



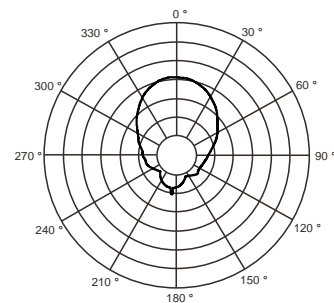
200Hz



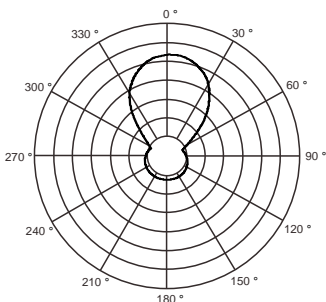
400Hz



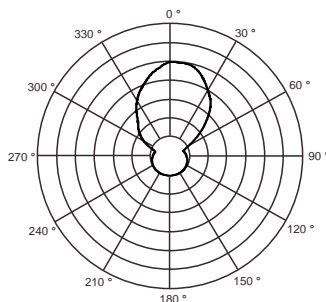
630Hz



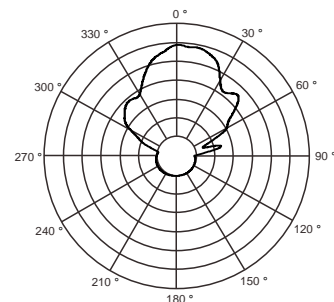
1.0kHz



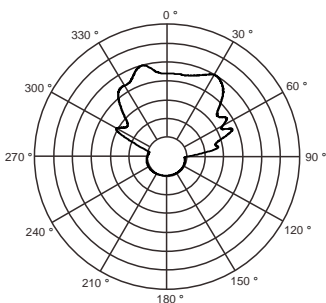
1.6kHz



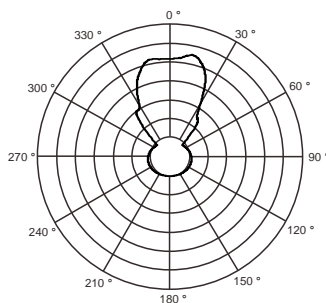
2.5kHz



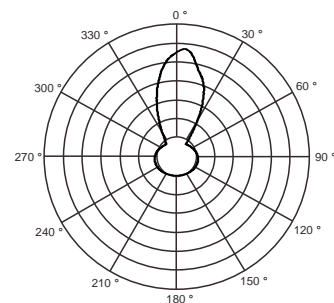
3.15kHz



6.3kHz



10kHz

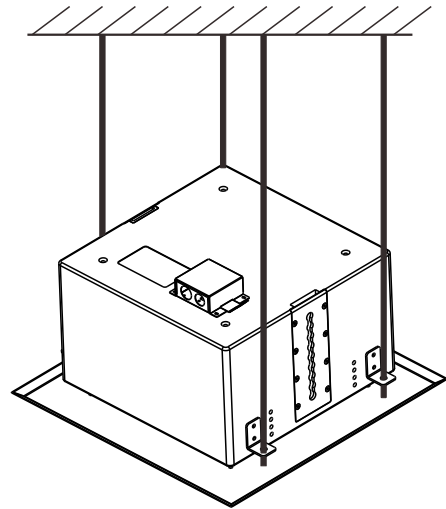
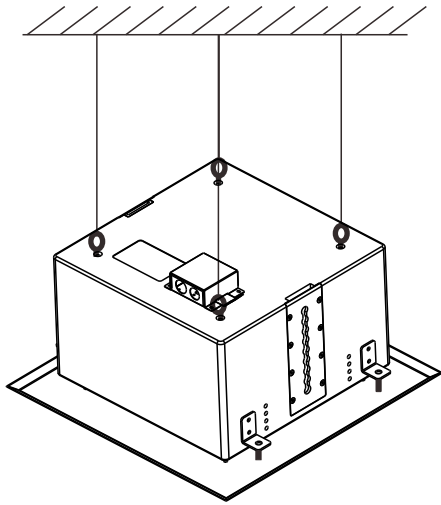


16kHz

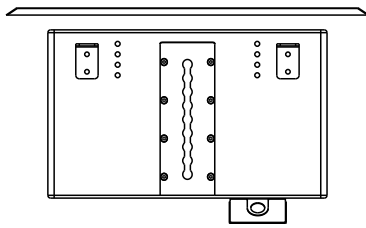
The scale is stepped by 6dB increment.

BT10V

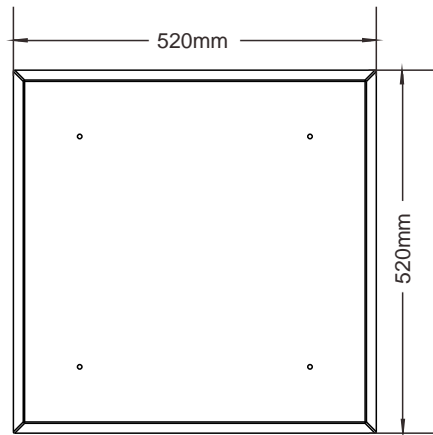
INSTALLATION



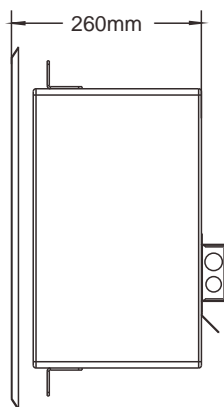
DIMENSIONS



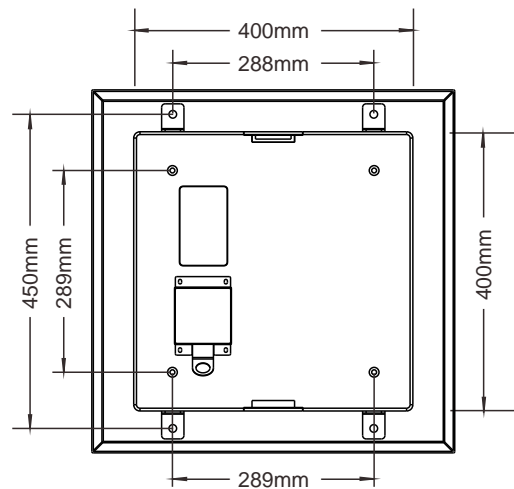
Top view



Front view



Side view



Back view

LIMITED WARRANTY

If malfunction occurs during the specified warranty period from the date of original purchase, the product will be repaired or replaced without charge by Elder Audio.

The Limited Warranty does not apply to:

- (a) exterior finish or appearance;
- (b) certain specific items described in the individual product data sheet or owner's manual;
- (c) malfunction resulting from use or operation of the product other than as specified in the individual product data sheet or owner's manual;
- (d) malfunction resulting from misuse or abuse of the product;
- (e) malfunction occurring at any time after repairs have been made to the product by anyone other than Elder Audio Service or any of its authorized service representatives.

To obtain warranty service, customer must deliver proof of purchase of the product in the form of a bill of sale or receipt invoice.

BT10V Speakers and Speaker Systems are guaranteed against malfunction due to defects in materials or workmanship for a period of three (3) years from the date of original purchase. The Limited Warranty does not apply to burned voice coils or malfunctions such as cone and/or coil damage resulting from improperly designed enclosures. Additional details are included in the Limited Warranty statement.

BT10V Accessories are guaranteed against malfunction due to defects in materials or workmanship for a period of one (1) year from the date of original purchase. Additional details are included in the Limited Warranty statement.

BT10V Flying Hardware (including enclosure-mounted hardware and rigging accessories) is guaranteed against malfunction due to defects in materials or workmanship for a period of one (1) year from the date of original purchase. Additional details are included in the Limited Warranty statement.

Specifications are subject to change without notice.



Beta Three

BT10V