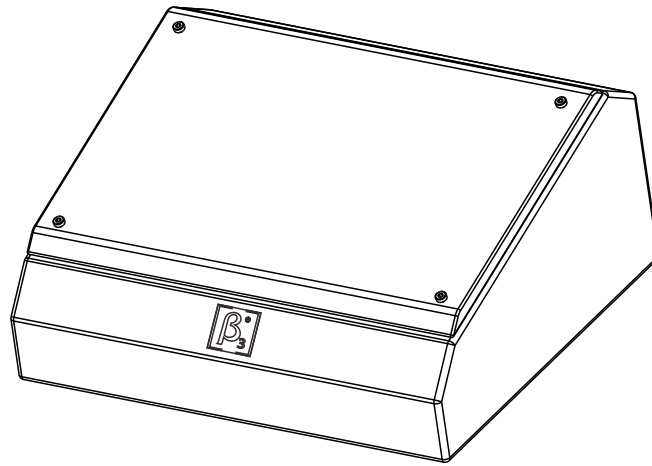




Beta Three

# CSR208A





## CONTENT

PRODUCT FEATURE	-----	1
SPECIFICATION	-----	1
SOUND PERFORMANCE	-----	2
INSTALLATION	-----	4
DIMENSION	-----	4

# CSR208A

## PRODUCT FEATURE

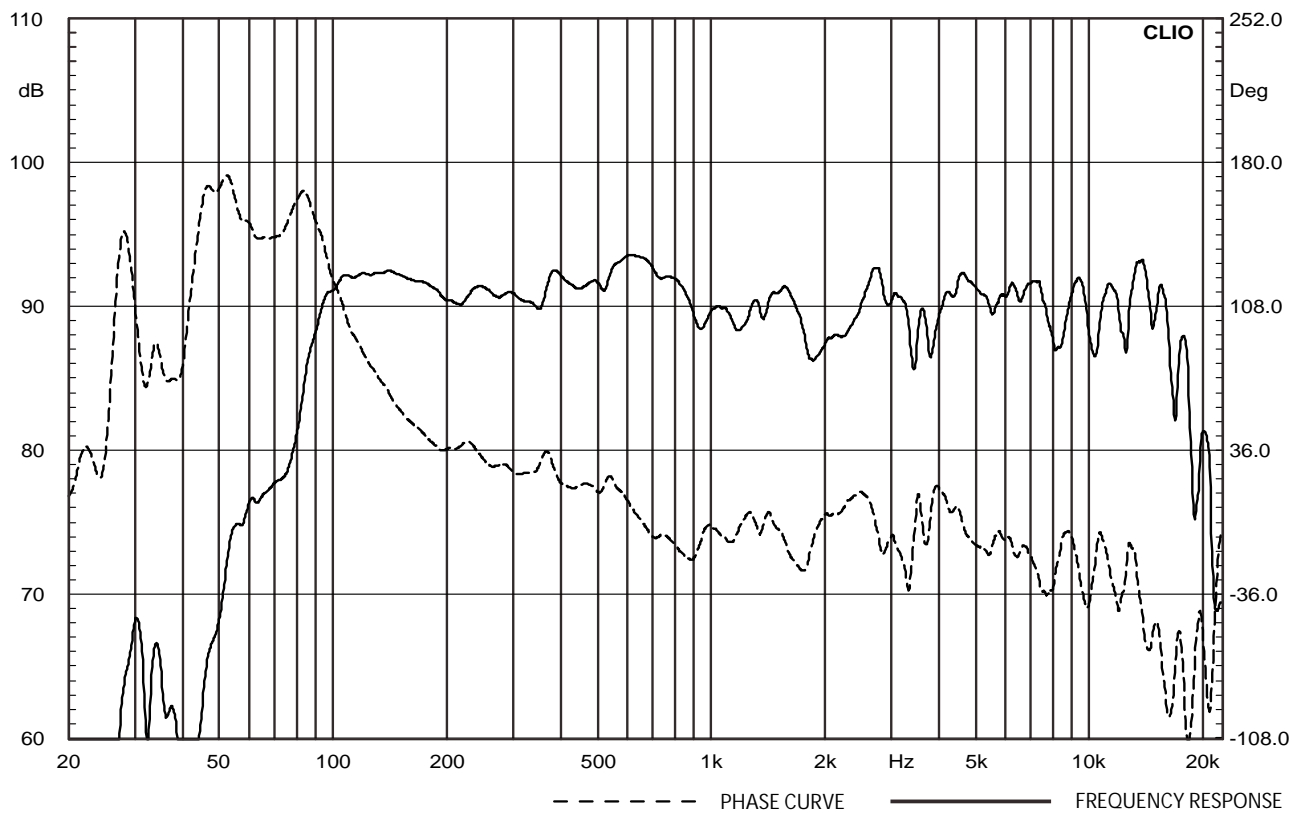
- Two transducers two way phase-inversed surrounding cinema speaker, professional high efficient transducers. Computer simulating design.
- Two transducers two way full range.
- High SPL, high sensitivity.
- One 8" big power woofer.
- One compression driver with 1" PEI diaphragm.
- Built-in electronic protection crossover.
- Computer simulating design provide very good Frequency response and phase feature.
- Very convenient walling installation mode.
- Suitable for THX, DTS and other multi-channel surrounding sound reinforcement in cinema.
- Suitable for Mid/small cinema audio system.
- Can work with 3 high energy bass speaker when used for high quality music replaying.

## SPECIFICATION

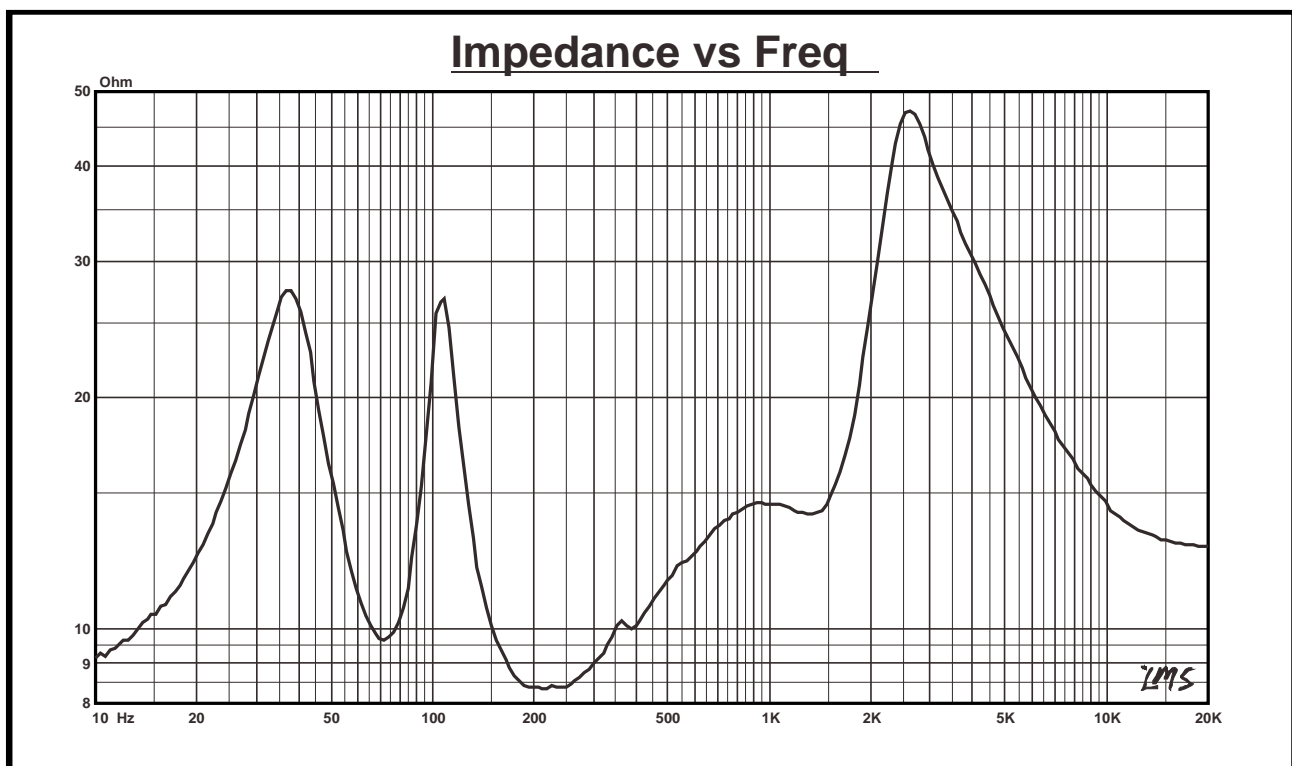
Components	LF: 8" × 1, HF:1" × 1
Frequency response (-3dB)	70Hz-18kHz
Sensitivity (1W/1m)	91dB
Average SPL ( 1m)	111dB
Max SPL (1m)	117dB
RMS power	100W
Peak power	200W
Program power	400W
Rated impedance	8
DC impedance	7.5
Crossover point	2.5kHz
Harmonic distortion	<3%
Input connector	Spring clip
Net weight	11kg
Gross weight	13kg
Speaker dimension (W × D × H)	450 × 375 × 210mm
Package dimension (W × D × H)	455 × 290 × 520mm

# CSR208A

## FREQUENCY RESPONSE, PHASE CURVE

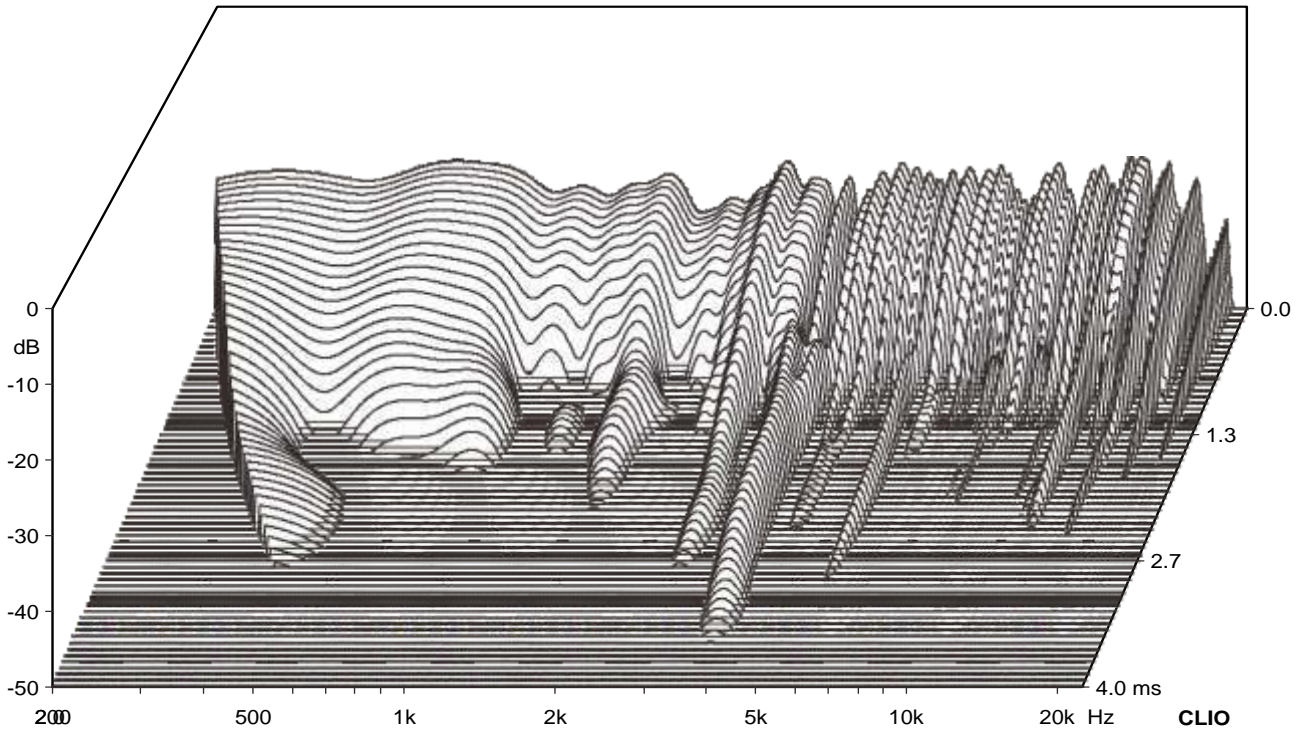


## IMPEDANCE CURVE

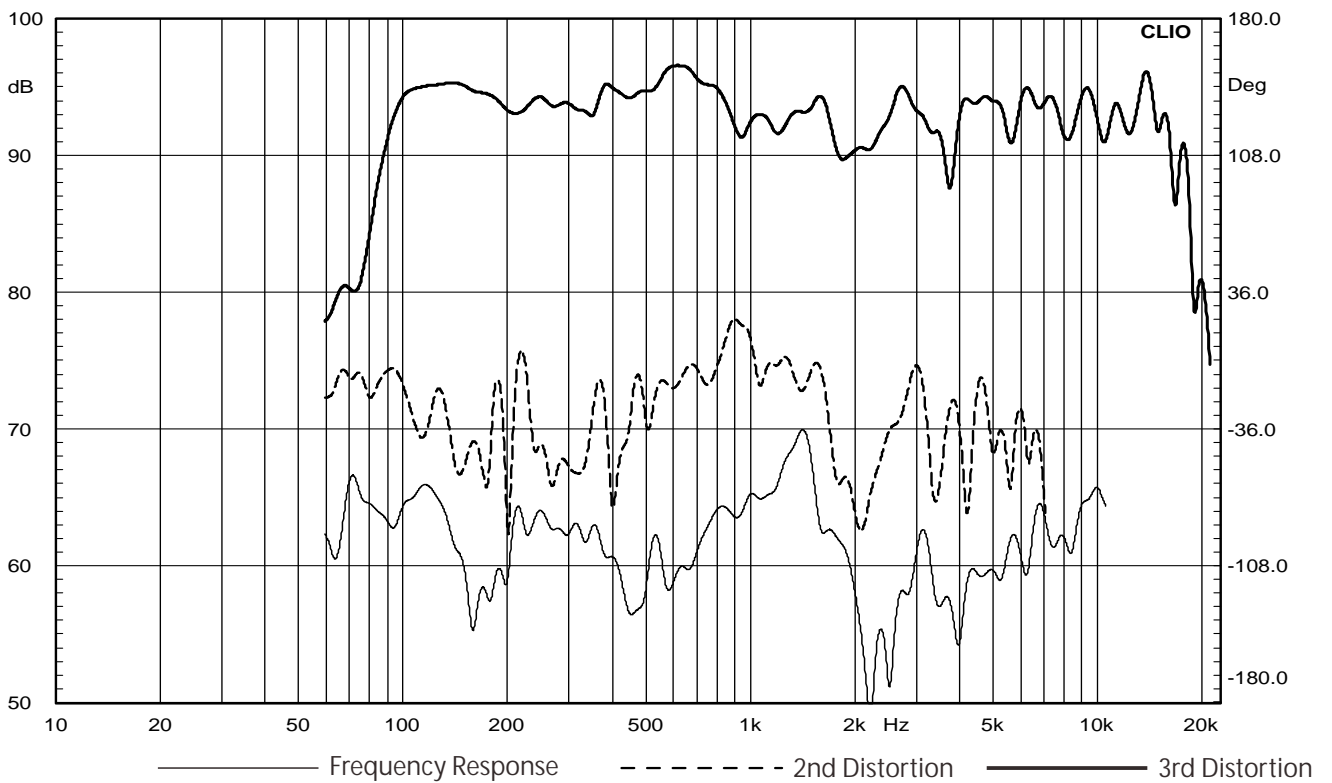


# CSR208A

## WATERFALL

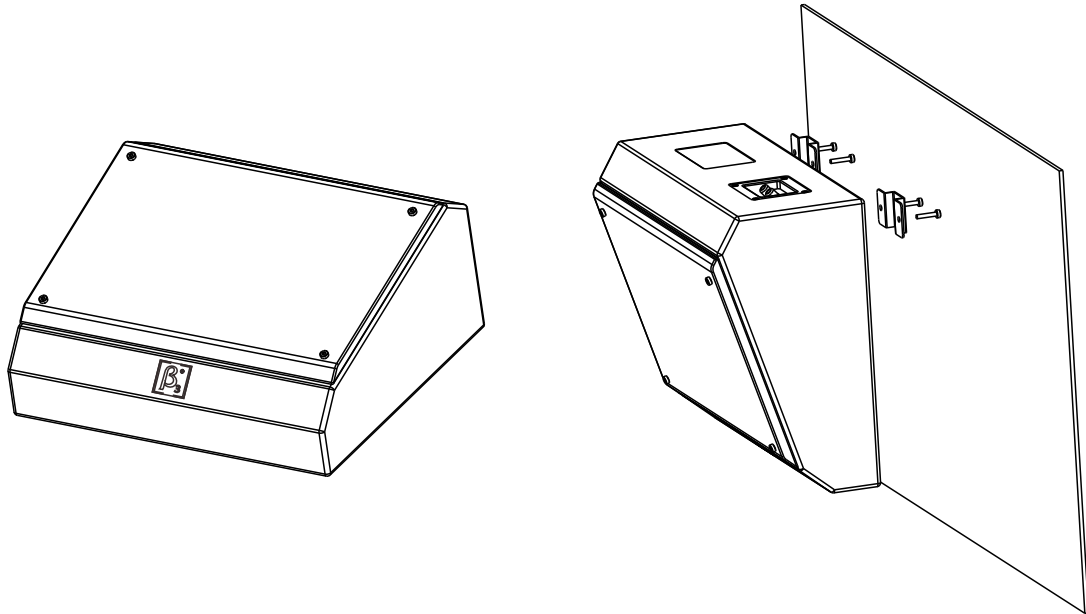


## HARMONIC DISTORTION

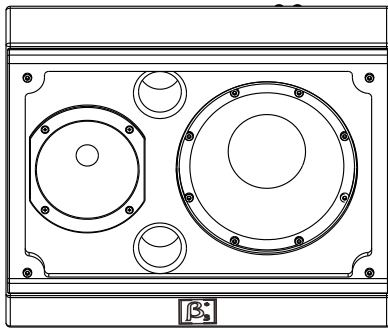


# CSR208A

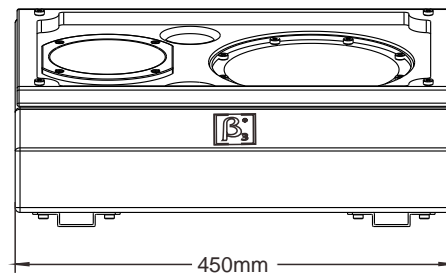
## INSTALLATION



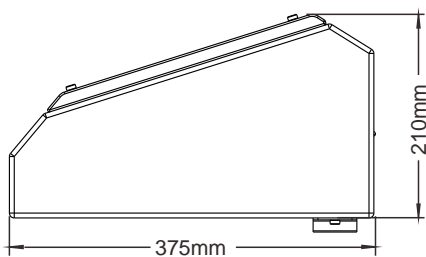
## DIMENSION



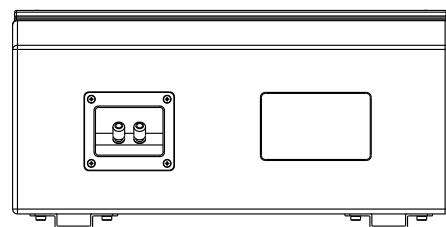
Top View



Front View



Side View



Rear View

