

**X10i**  
10" Two-way  
Full Range Speaker  
**User Manual**





UM-X10i -20111028 ver A



# SAFETY INSTRUCTIONS


## PLEASE READ THIS MANUAL FIRST

Thank you for a buying  $\beta$  product. Read this manual first as it will help you operate the system properly. Please keep this manual for future reference.

**⚠ WARNING:** *This product must be installed by professionals. When using hanging brackets or rigging other than those supplied with the product, please ensure they comply with the local safety codes.*

	<b>CAUTION</b> RISK OF ELECTRICAL SHOCK DO NOT OPEN	
CAUTION: TO REDUCE THE RISK OF ELECTRIC SHOCK, DO NOT REMOVE COVER (OR BACK). NO USER-SERVICABLE PARTS INSIDE. REFER SERVICING TO QUALIFIED PERSONNEL.		

	<b>AVIS</b> RISQUE DE CHOC ÉLECTRIQUE NE PAS OUVRIR	
ATTENTION : POUR RÉDUIRE LE RISQUE DE DÉCHARGE ÉLECTRIQUE, NE RETIREZ PAS LE COUVERCLE (OU L'ARRIÈRE). IL NE SE TROUVE À L'INTÉRIEUR AUCUNE PIÈCE POUVANT ÊTRE RÉPARÉE PAR L'USAGER. S'ADRESSER À UN RÉPARATEUR COMPÉTENT.		

 *The exclamation point within an equilateral triangle is intended to alert you to the presence of important operating and servicing instructions.*

**⚠ ATTENTION:** *Don't refit the system or spare parts without being authorized as this will void the warranty.*


**⚠ WARNING:** *Don't place naked flames (such as candles) close to the equipment.*

1. Read the instruction manual first before using this product.
2. Please keep this manual for future reference
3. Pay attention to all warnings.
4. Obey all operating instructions.
5. Do not expose this product to rain or moisture.
6. Clean this equipment with a dry cloth.
7. Do not block any ventilation openings. Install according to manufacturer's instructions .
8. Do not install this product near any heat source, such as a, heater, burner, or any other equipment with heat radiation .
9. Only use spare parts supplied by the manufacturer.
10. Pay attention to the safety symbol on the outside of the cover.



CONTENT

INTRODUCTION	3
Features	3
Description	3
Applications	3
CONNECTION	4
Speakon	4
NL4 Connection	4
System Connection Reference	4
INSTALLATION	5
Mounting Accessories	5
Installation Reference	5
TECHNICAL SPECIFICATION	6
Technical Sheet	6
Frequency Response And Impedance Curve	6
2D Dimension	7

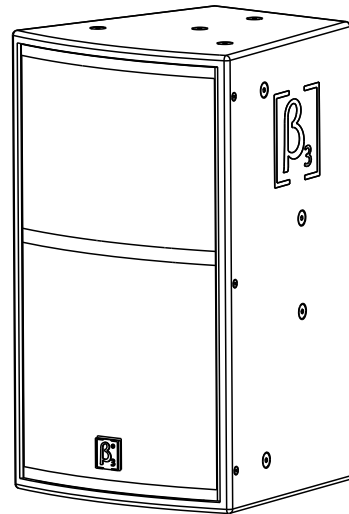
 Product information subjects to be updated without notification, please visit [www.elderaudio.com](http://www.elderaudio.com) for latest update.

## X10i

10" Two Way Full Range Speaker

### Features

- 2-transducer 2-way Full Range Speaker.
- One 10" High Power LF Driver.
- One 1.7" HF Driver.
- Computer aided design to optimize frequency and phase response.
- Frequency Response 60Hz - 20kHz (-3dB).
- Sensitivity 95dB, MAX. SPL 117dB/123dB(PEAK).
- Rated Power 200W(RMS), 800W(PEAK).



### Description

$\beta_3$  X10i is a compact 2-way full range speaker. US patented all-weather Paint and with dry paint technology, the hardness is 30% more than regular polyester paint.

X10i the cabinet is with trapezoid section design, it's easy for making Line Array system. design can decline the internal stationary wave, it takes high density PLY board which is intensive enough, it can absorb strange sound caused by the resonance of the cabinet, X series are standard hanging structure design, SPK input connectors, it's easy for installation and use.

X series products are developed with the latest computer aided simulation design combined with latest material and producing technology. X series curves can satisfy the passionate demand in KTVs, all loudspeakers we adopt optimized high magnetic, low distortion, better ventilation and cooling magnetic system, the LF woofers we adopt voice coil with special impedance adhesive and unparallel thickness paper box and high power. The tweeter part we adopt high-temperature treated metal titanium membrane, rectangle coil with aluminum in cooper wires and compression cavity with line array phase design, it can obtain broader sound coverage with high dispersion horn, and also equipped with our latest adjustable-delay protection circuit, which will greatly improve reliability with out any loss on sound quality.

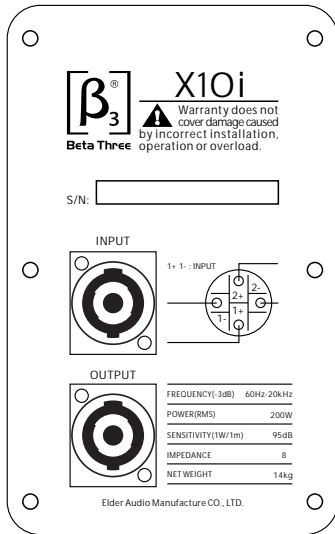
### Applications

- Bars and Dancing halls
- Night Clubs
- Touring
- Clubs

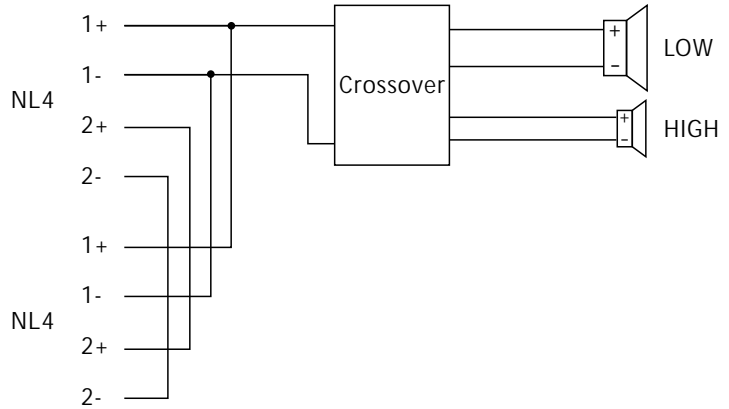


Two NL4 connectors are available for amplifier connection. Paralleled connector is very convenient for another speaker connection.

Terminal Plate

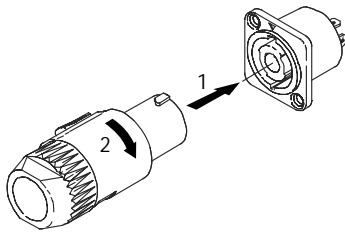


1+ 1- INPUT

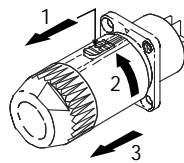


NL4 Connection

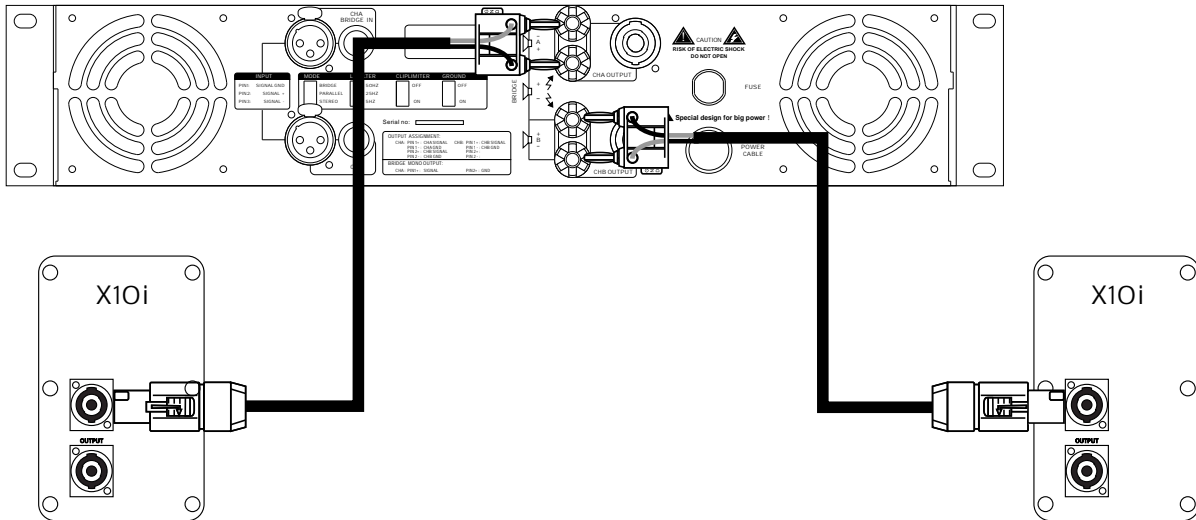
1. Connect



2. Disconnect



System Connection Reference



- Attention: The impedance of connected speaker must match the impedance of amplifier output.
- Attention: Make sure the polarity of speaker and amplifier correctly.

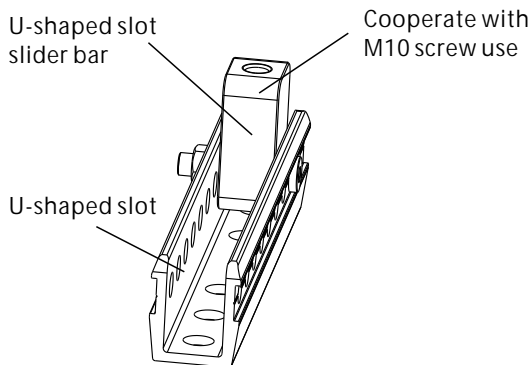
## Mounting Accessories(Optional)

Eighteen mounting points are very convenient and efficient for the different application with special brackets.

- 1. Speaker stand  
SPS-502BC black

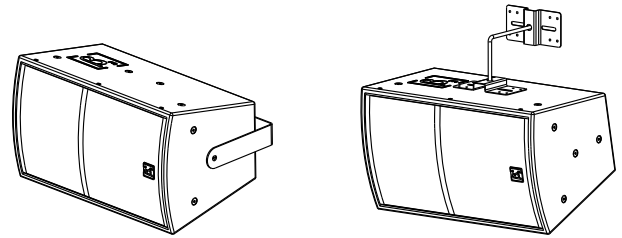


- 2. Special installation package(optional)

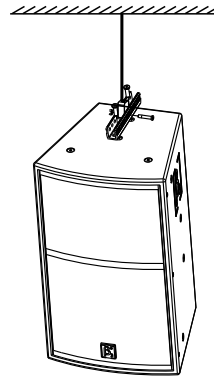


## Installation Reference

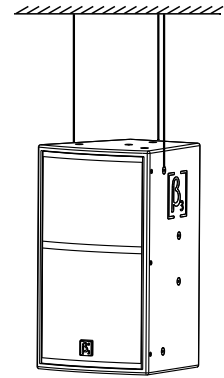
- 1.U shape bracket hanging
- 2.wall hanging



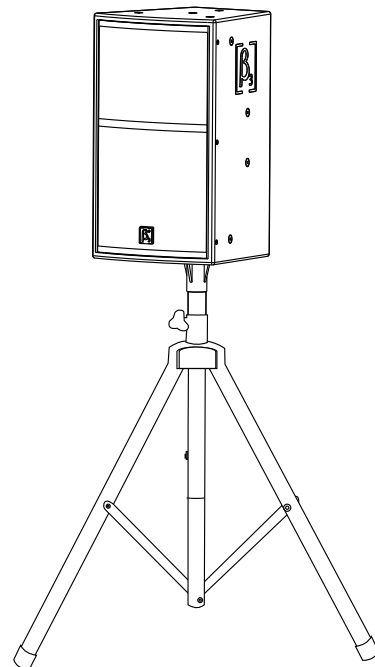
- 3.Kit hanging



- 4.Wire rope hanging



- 5.Support



**Warning:** Make sure the mounting accessories safety factor not less than 5:1 or meet the local standard during installation .



### Technical Specification

System:	10" Two-way Full Range Speaker
System components:	1 × 10" LF 1 × 1.7" HF
Frequency response(-3dB): <sup>1</sup>	60Hz-20kHz
Sensitivity(1W@1m): <sup>2</sup>	95dB
Max. SPL(1m): <sup>3</sup>	117dB/123dB(PEAK)
Power:	200W (RMS) <sup>4</sup> 400W (MUSIC) 800W (PEAK)
Dispersion(H x V):	50° -100° x 60°
Rated impedance:	8 Ohms
Crossover point:	2.7kHz
Cabinet:	Wedge shape
Mounting accessories:	18 × M10 Hanging point
Painting:	Cabinet coated by Polyurethane paint; grille is powder coated
Connector:	NL4 × 2
Cabinet dimension:	300 × 290 × 490mm (W × D × H) (11.8 × 11.4 × 19.3in)
Package dimension:	370 × 370 × 590mm (W × D × H) (14.6 × 14.6 × 23.2in)
Net weight(pc):	14kg(30.8 lbs.)
Gross weight(pc):	16kg(35.2 lbs.)

### Speaker Testing Method

#### 1. Frequency Response

Use Pink noise to test the speaker in the anechoic chamber, adjust the level to make the speaker work at its rated impedance and set the output power at 1W, then test the frequency response 1m away from the speaker.

#### 2. Sensitivity

Use full range Pink noise which has been modified using an EQ curve to test the speaker in the anechoic chamber, increasing the signal to make the speaker work at its rated impedance and set the power output at 1W, then test the sensitivity 1m away from the speaker.

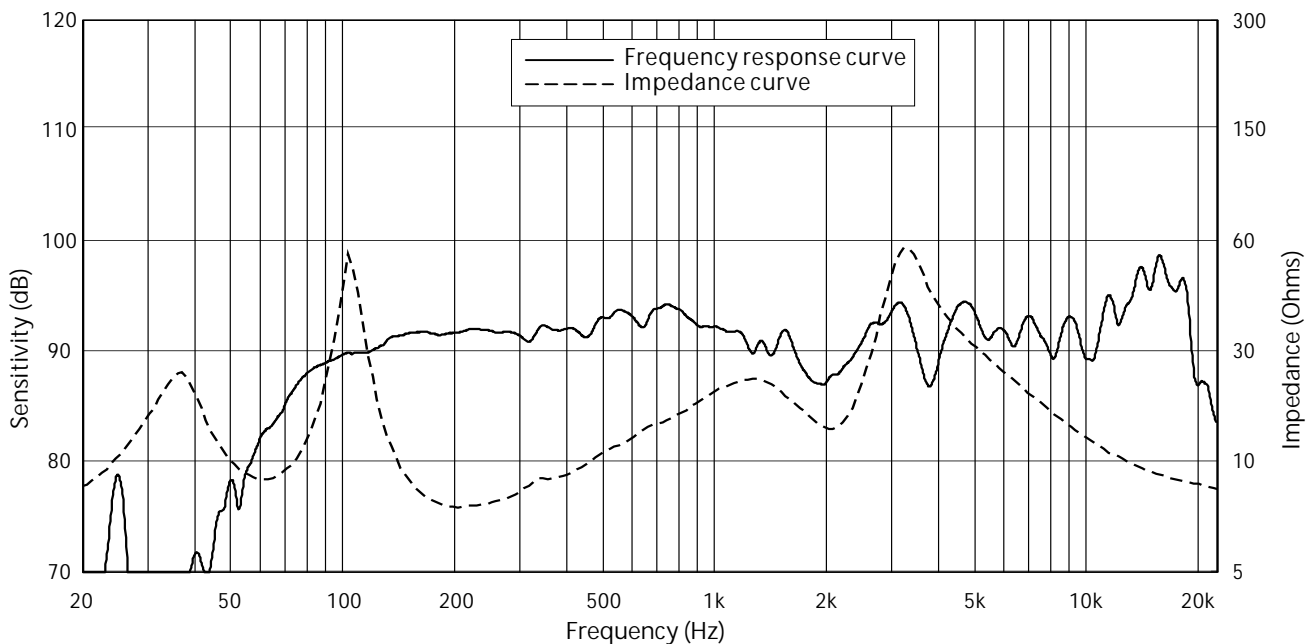
#### 3. MAX.SPL

Use full range Pink noise which has been modified using an EQ curve to test the speaker in the anechoic chamber, increase the signal to make the speaker work at its maximum power output level, then test the SPL 1m away from the speaker.

#### 4. Rated Power

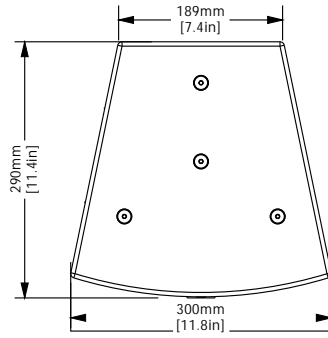
Use Pink noise to the IEC#268-5 standard to test the speaker, increase the signal for a continuous period of 100 hours, the rated power is the power when the speaker will show no visible or measurable damage.

### Frequency response curve & Impedance curve

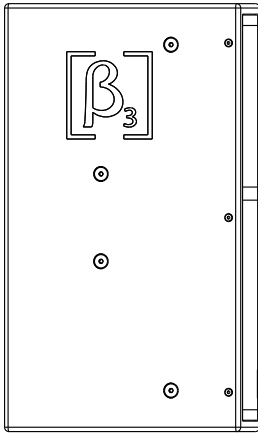


2D Dimension

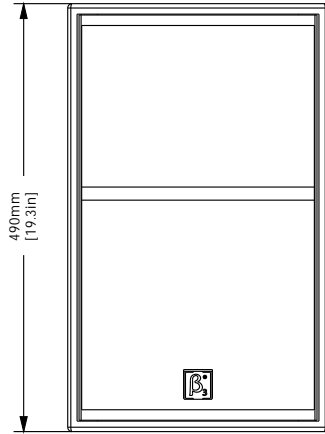
Top view



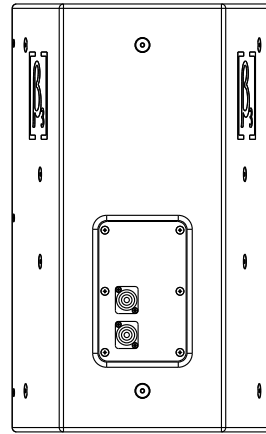
Side view



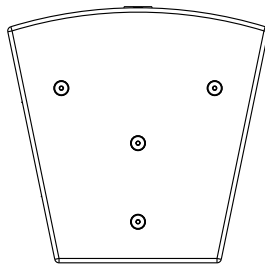
Front view



Back view



Bottom view





Notes:



**Beta Three**