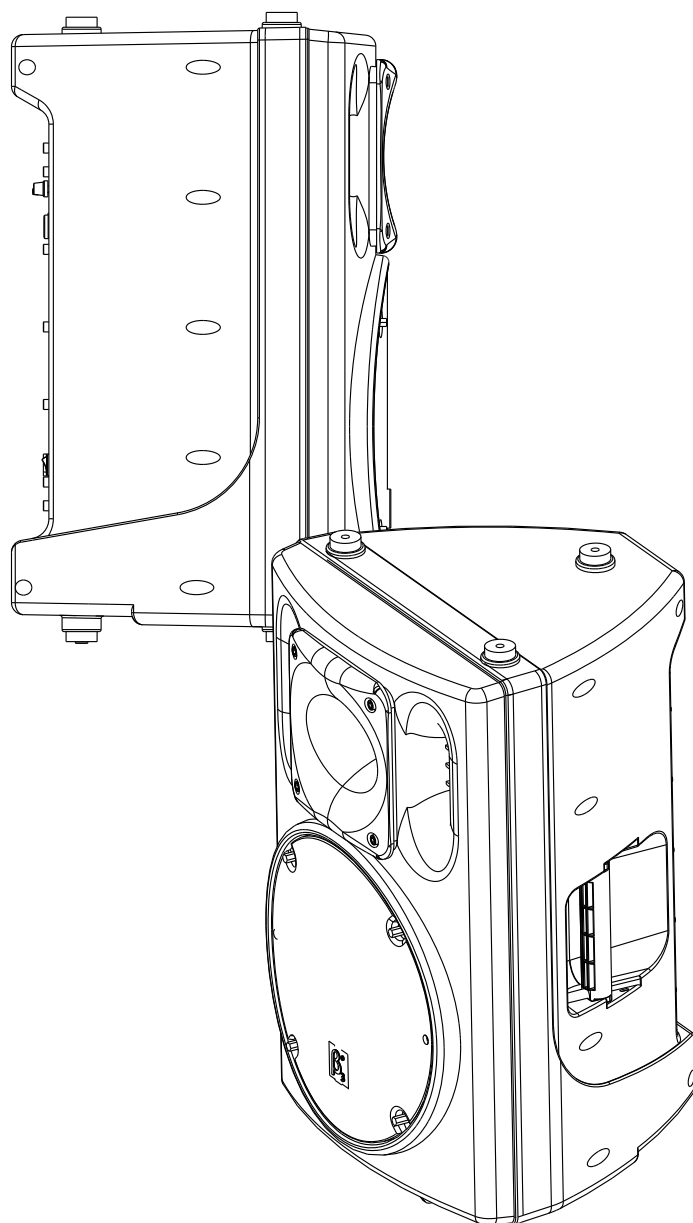




Beta Three



V122a

Two Way 12" Full Range
Active Speaker

V Series Pro Loudspeaker System

User Manual





UM-V122a-20140423 ver A



SAFETY INSTRUCTIONS


PLEASE READ THIS MANUAL FIRST

Thank you for a buying β_3 product. Read this manual first as it will help you operate the system properly. Please keep this manual for future reference.

⚠ WARNING: *This product must be installed by professionals. When using hanging brackets or rigging other than those supplied with the product, please ensure they comply with the local safety codes.*

	CAUTION RISK OF ELECTRICAL SHOCK DO NOT OPEN	
CAUTION: TO REDUCE THE RISK OF ELECTRIC SHOCK, DO NOT REMOVE COVER (OR BACK). NO USER-SERVICABLE PARTS INSIDE. REFER SERVICING TO QUALIFIED PERSONNEL.		

	AVIS RISQUE DE CHOC ÉLECTRIQUE NE PAS OUVRIR	
ATTENTION : POUR RÉDUIRE LE RISQUE DE DÉCHARGE ÉLECTRIQUE, NE RETIREZ PAS LE COUVERCLE (OU L'ARRIÈRE). IL NE SE TROUVE À L'INTÉRIEUR AUCUNE PIÈCE POUVANT ÊTRE RÉPARÉE PAR L'USAGER. S'ADRESSER À UN RÉPARATEUR COMPÉTENT.		

 *The exclamation point within an equilateral triangle is intended to alert you to the presence of important operating and servicing instructions.*

⚠ ATTENTION: *Don't refit the system or spare parts without being authorized as this will void the warranty.*


⚠ WARNING: *Don't place naked flames (such as candles) close to the equipment.*

1. Read the instruction manual first before using this product.
2. Please keep this manual for future reference
3. Pay attention to all warnings.
4. Obey all operating instructions.
5. Do not expose this product to rain or moisture.
6. Clean this equipment with a dry cloth.
7. Do not block any ventilation openings. Install according to manufacturer's instructions .
8. Do not install this product near any heat source, such as a, heater, burner, or any other equipment with heat radiation .
9. Only use spare parts supplied by the manufacturer.
10. Pay attention to the safety symbol on the outside of the cover.



CONTENT

INTRODUCTION	3
Features	3
Description	3
Applications	3
AMPLIFIER MODULE	4
Amplifier Module	4
INSTALLATION	5
Mounting Accessories	5
Installation Reference	5
TECHNICAL SPECIFICATION	6
Technical Sheet	6
Frequency Response Curve and THD Curve	6
2D Dimension	7

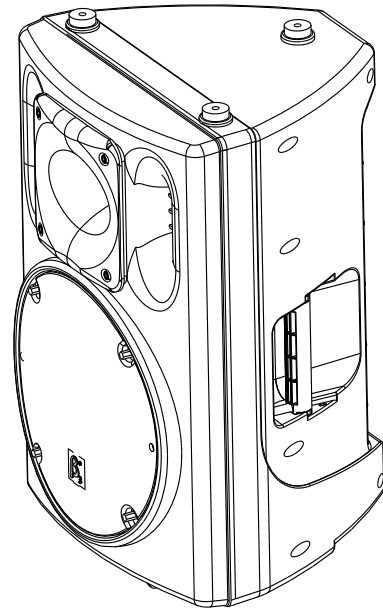
 Product information is subject to change without prior notification. Please visit www.elderaudio.com for latest updates.

V122a

Two Way 12" Full Range Active Speaker

Features

- Compact light weight design, versatile sound reinforcement.
- High output SPL and sensitivity.
- Built-in digital amplifier provides abundant energy.
- Heavy duty protective front grill.
- Pole mount socket for speaker stand.
- Suitable as a main system with or without sub speaker.



Description

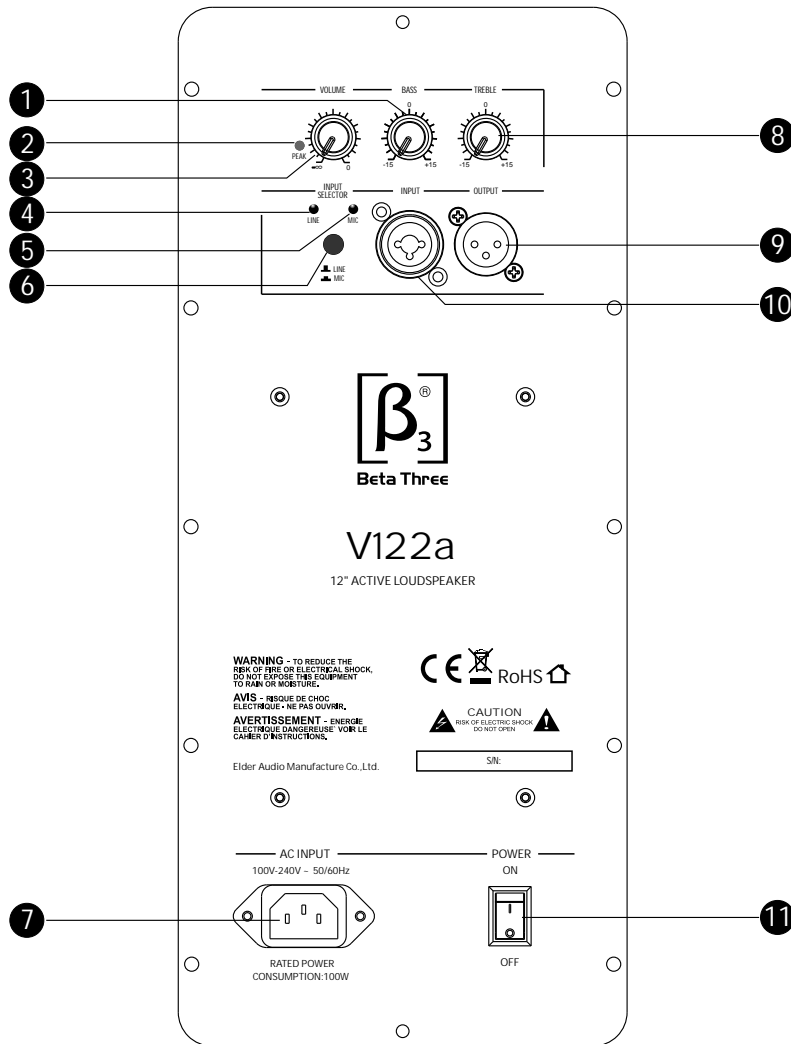
V122a V series is designed for portable and installed applications. The integrated polymer PVC cabinet design ensures durability and full natural high performance sound.

[®] V122a is a full range active speaker with a 500W Class D amplifier module. The high powered 12" woofer delivers powerful low frequency and the 34mm Titanium compression driver delivers high definition mid/high frequencies.

Applications

- Church
- Auditorium
- Conference room
- Small performance
- Multifunctional hall

Amplifier Module



- | | |
|--------------------------------------|-----------------------------|
| 1. Bass control | 6. Line/microphone selector |
| 2. PEAK indicator | 7. Power supply input |
| 3. Volume control | 8. Treble control |
| 4. Line input signal indicator | 9. Line output |
| 5. Microphone input signal indicator | 10. Line/microphone input |
| | 11. Power ON/OFF switch |

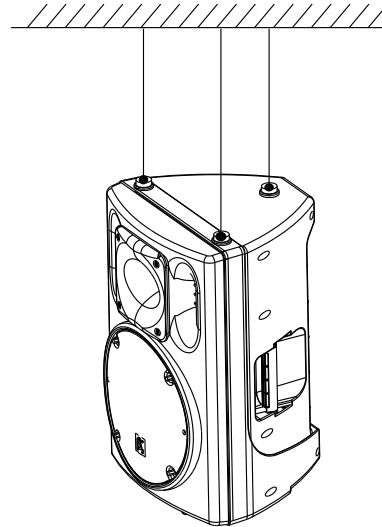
Installation Accessories(Optional)

1. Speaker stand

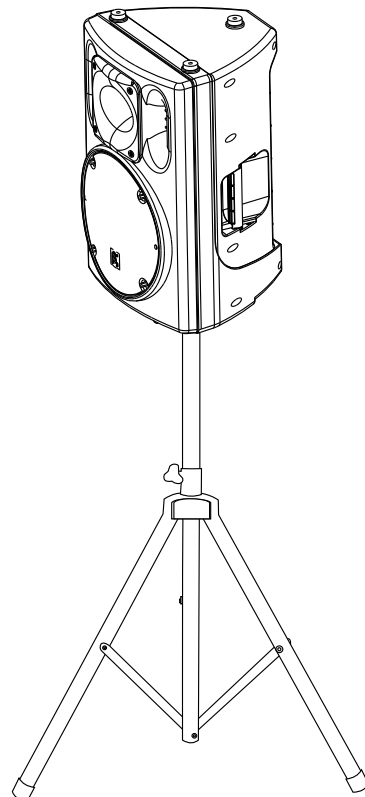


Installation Reference

- 1.Reference A



- 2.Reference B



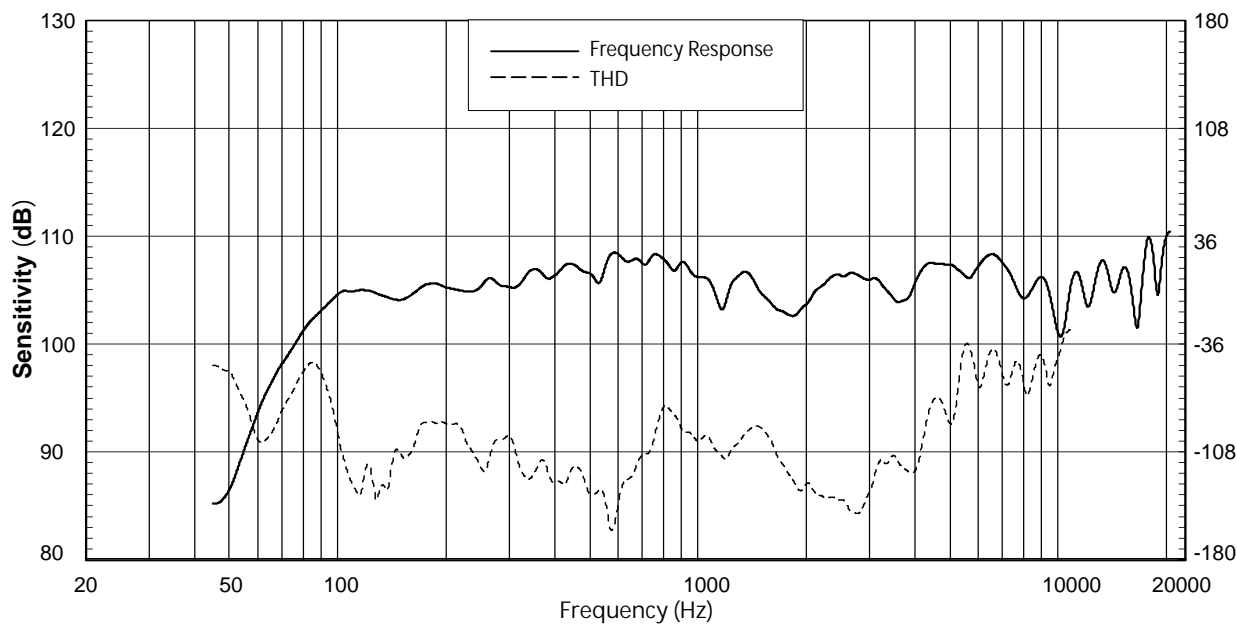
⚠ Warning: Make sure the mounting accessories safety factor not less than 5:1 or meet the local standard during installation .



Specification

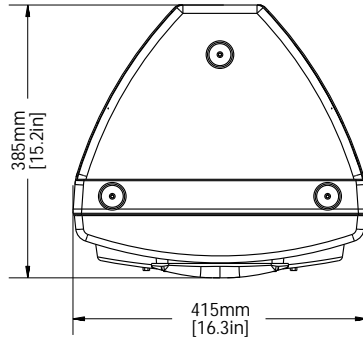
Frequency response(-3dB):	55Hz-20kHz
Max.SPL:	128dB
Dispersion(H x V):	85° x 75°
Transducer:	1 x 12" Woofer 1 x 34mm Compression Driver
Rated impedance:	8 Ohms
Connector:	XLR for input, XLR for output
Input:	Channel one (Mic/Line) balanced input
Input impedance(line):	20Kohm balanced input, 10Kohm unbalanced input
Input level:	0 dBV (0.775V rms, 1.0 V peak)Line-100Hz
Input overloading level:	Maximum input level 8 V peak
Wire connection:	pin 1: ground; pin2: signal +; pin3: signal -
Heat radiation:	Forced air-cooled drives
Power cable:	IEC 3 pin power connector
Safety voltage range:	AC 100V-240V~50Hz/60Hz
Amplifier power output:	500W
Cabinet:	Polypropylene injection moulding
Flying/ Mounting accessories :	Hanging point, supporting seat
Handle:	One side
Painting:	Powder coated grill
Cabinet dimension(WxDxH):	415 x 385 x 629mm(16.3 x 15.2 x 24.8in)
Packing dimension(WxDxH):	465 x 435 x 680mm(18.3 x 17.1 x 26.8in)
Net weight:	17.0kg(37.4 lbs)
Gross weight:	19.5kg(42.9 lbs)

Frequency response curve & THD curve

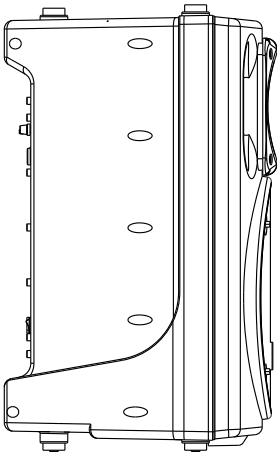


2D Dimension

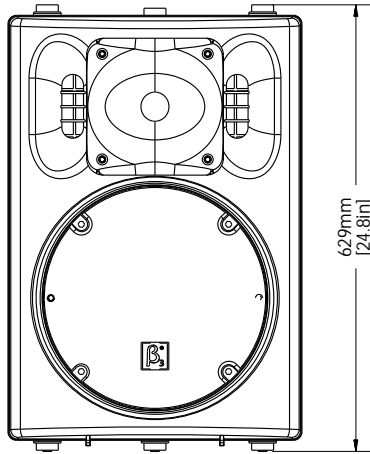
Top view



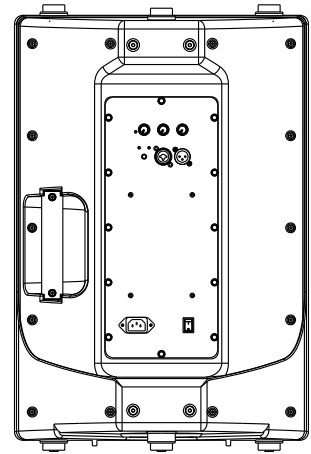
Side view



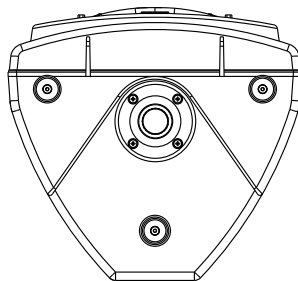
Front view



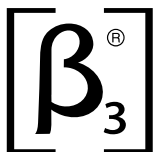
Back view



Bottom view



Notes:



Beta Three