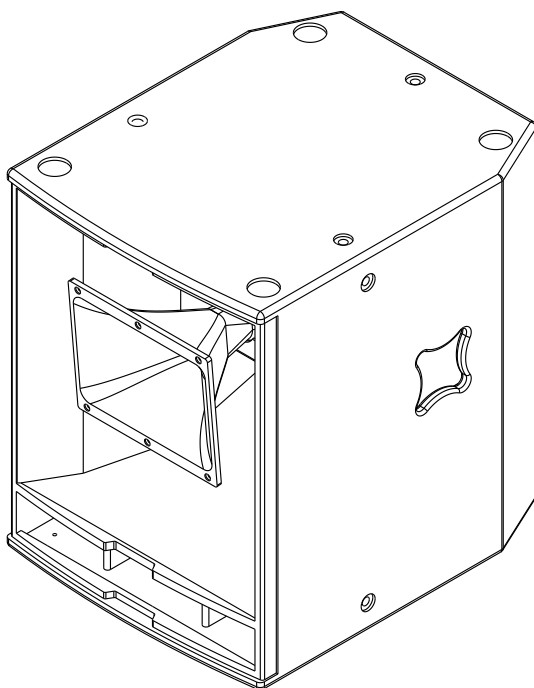


Beta Three

H215





Beta Three

CONTENTS

PRODUCT FEATURES	-----	1
SPECIFICATION	-----	1
ACOUSTIC CHARTS	-----	2
DIMENSIONS	-----	4
LIMITED WARRANTY	-----	5

ΣH215

PRODUCT FEATURES

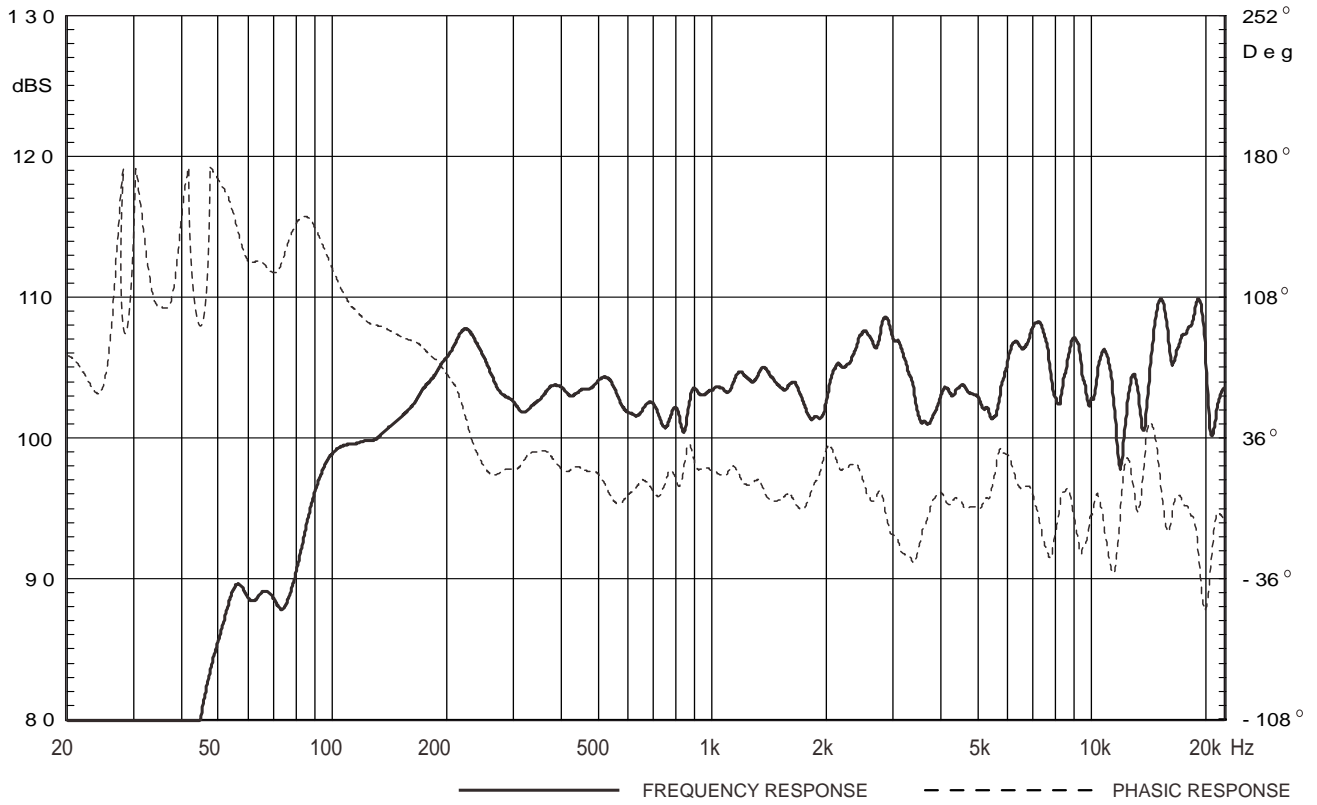
- H215 is special designed for Music Bar, Disco, performance Bar, club and stadium. It is a new product focus on the entertainment installation and stadium, outdoors project.
- 15" woofer with 100mm V.C. and 220mm magnet, big power and high reliability, MF adopt imported coaxial transducers(100mm MF and 44mm HF), passive three way, power can reach 750W with high SPL and big dynamic.
- High intensity plywood cabinet is strong enough, also can absorb the noise caused by resonance.
- Coaxial MF/LF transducer and LF horn at the unsymmetrical position reduce the interference from symmetrical position. Precise installation position with computer simulation and continuous test solve the phase problem caused by LF/MF/HF in 3D space so that it can get better sound quality.
- Can be used with 3 H118B and C-2600 for high quality music reproduction.

SPECIFICATION

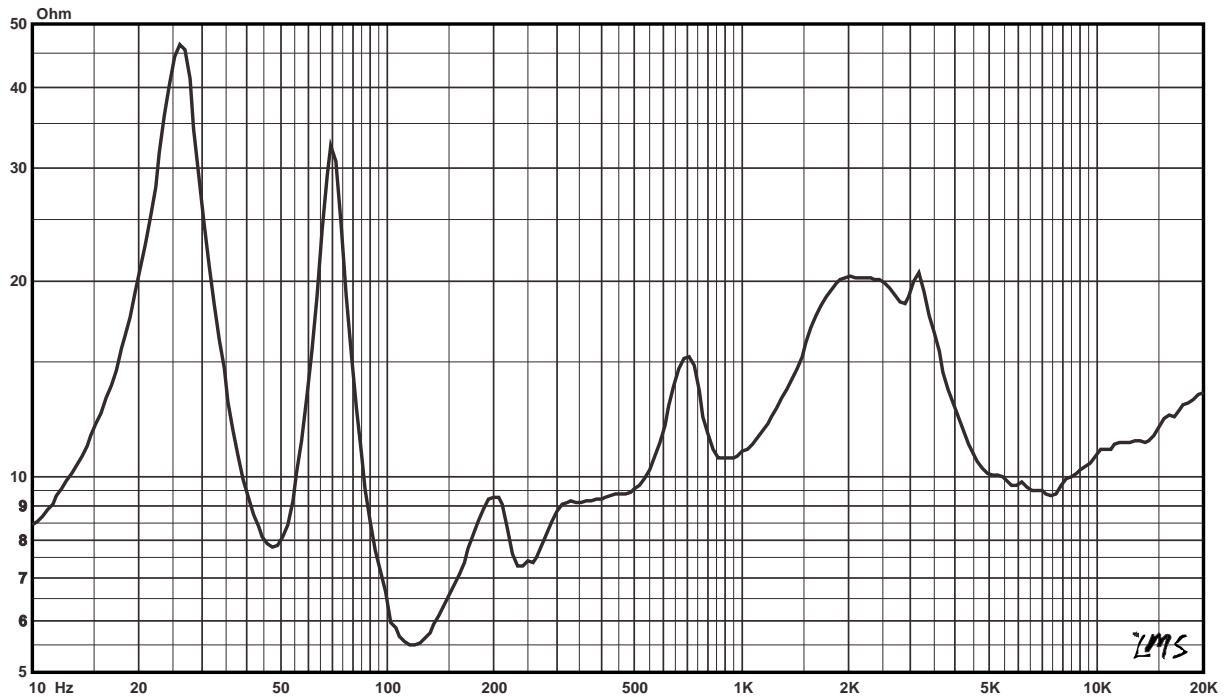
Transducers	LF:15" × 1, MF/HF:BMS4952
Frequency Response(-3dB)	48Hz-20kHz
Sensitivity(1W/1m)	106dB
SPL(1m)	135dB
Max.SPL(1m)	141dB
Power(RMS)	750W
Power(Program)	1500W
Power(Peak)	3000W
Rated Impedance	8
DC Impedance	5.4
Dispersion (H × V)	40 × 100°
Crossover Point	LF/MF:600Hz, MF/HF:6.5kHz
THD	<3%
Input Connectors	N14 × 2, 1+ 1-
Net Weight	49.0kg
Gross Weight	53.0kg
Dimensions (W × D × H)	550 × 680 × 704mm
Packing Dimensions(W × D × H)	780 × 660 × 824mm

ΣH215

FREQUENCY RESPONSE

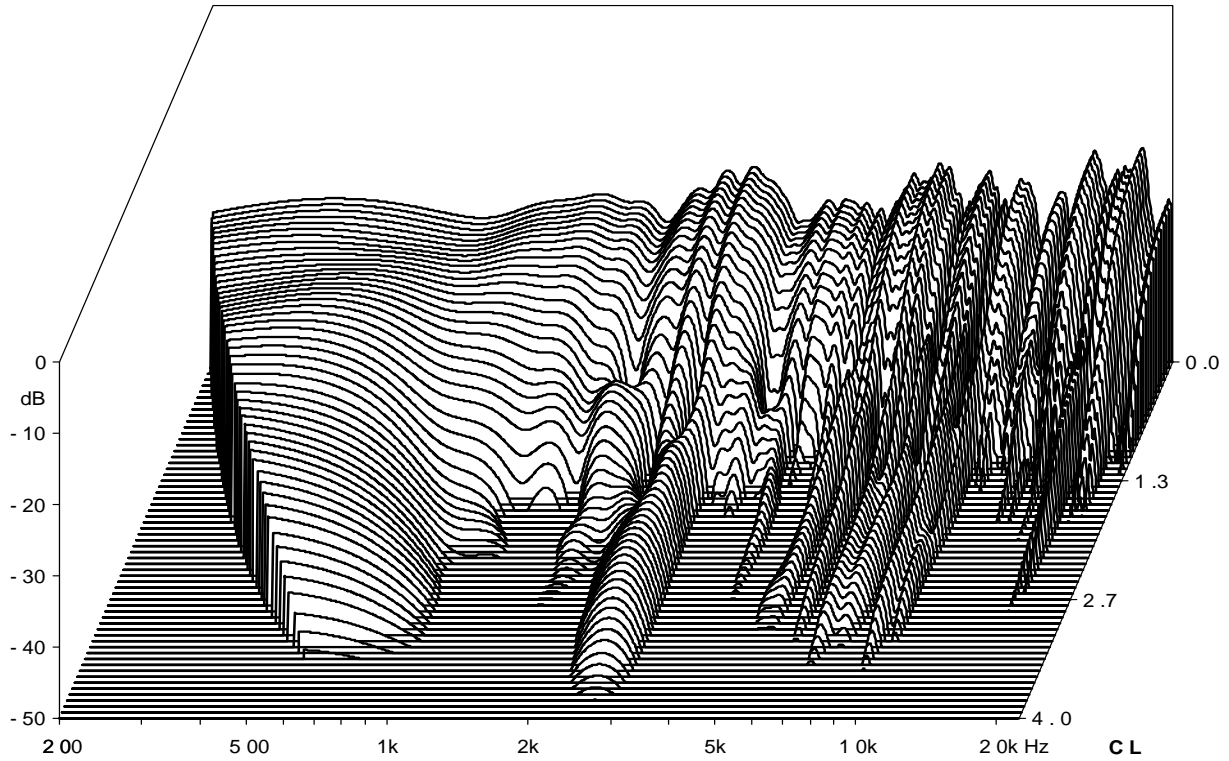


IMPEDANCE RESPONSE

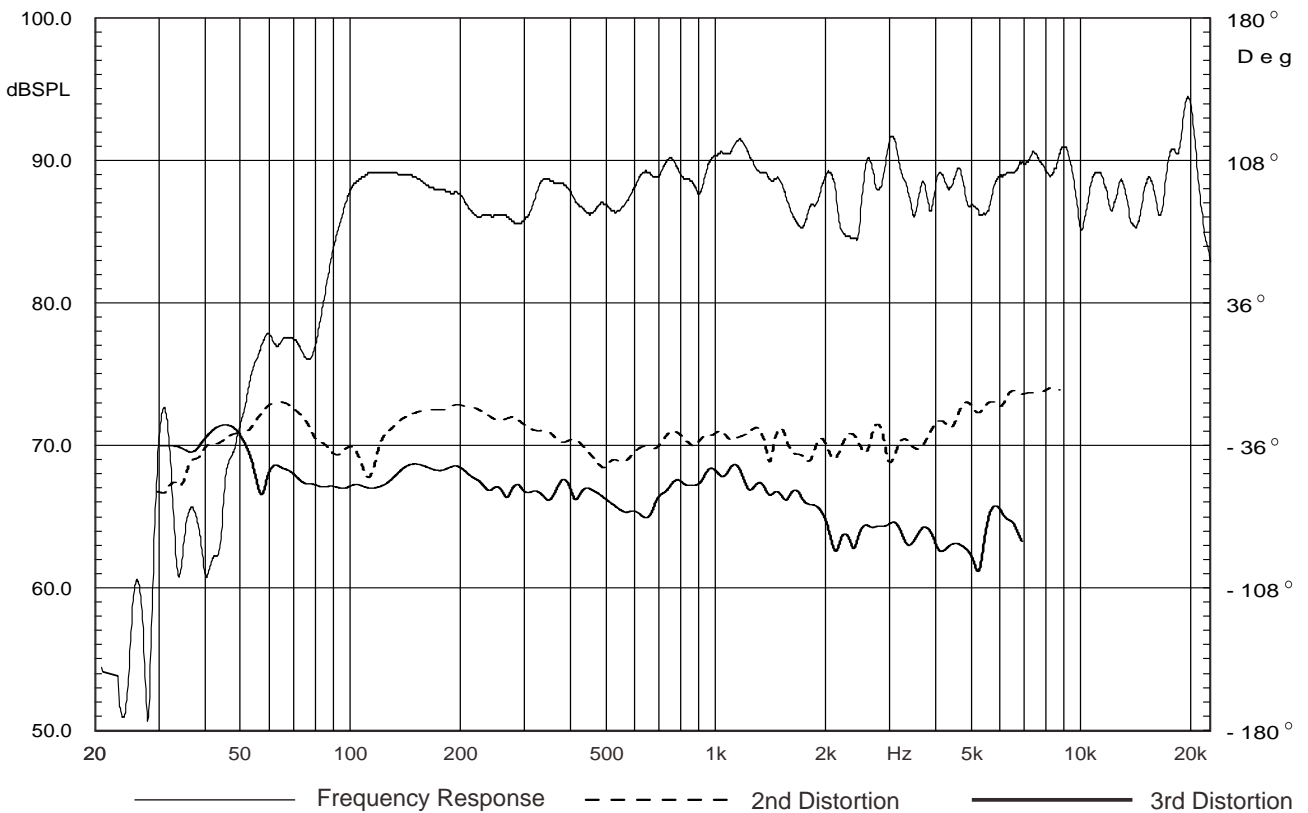


ΣH215

WATERFALL

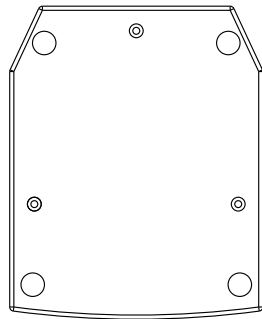


THD

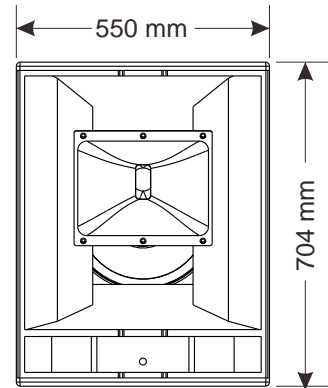


ΣH215

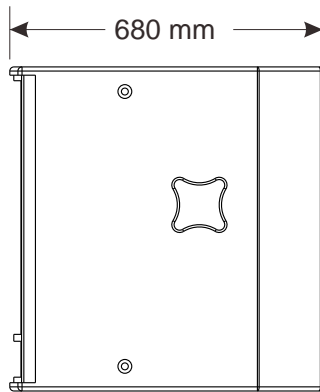
DIMENSION



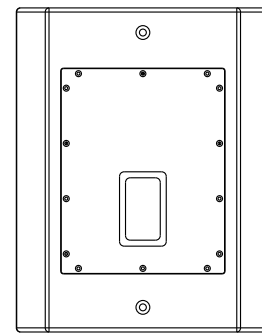
Top View



Front View



Side View



Back View

LIMITED WARRANTY

If malfunction occurs during the specified warranty period from the date of original purchase, the product will be repaired or replaced without charge by Elder Audio.

The Limited Warranty does not apply to:

- (a) exterior finish or appearance;
- (b) certain specific items described in the individual product data sheet or owner's manual;
- (c) malfunction resulting from use or operation of the product other than as specified in the individual product data sheet or owner's manual;
- (d) malfunction resulting from misuse or abuse of the product;
- (e) malfunction occurring at any time after repairs have been made to the product by anyone other than Elder Audio Service or any of its authorized service representatives.

To obtain warranty service, customer must deliver proof of purchase of the product in the form of a bill of sale or receipt invoice.

‡ H215 Speakers and Speaker Systems are guaranteed against malfunction due to defects in materials or workmanship for a period of three (3) years from the date of original purchase. The Limited Warranty does not apply to burned voice coils or malfunctions such as cone and/or coil damage resulting from improperly designed enclosures. Additional details are included in the Limited Warranty statement.

‡ H215 Accessories are guaranteed against malfunction due to defects in materials or workmanship for a period of one (1) year from the date of original purchase. Additional details are included in the Limited Warranty statement.

‡ H215 Flying Hardware (including enclosure-mounted hardware and rigging accessories) is guaranteed against malfunction due to defects in materials or workmanship for a period of one (1) year from the date of original purchase. Additional details are included in the Limited Warranty statement.

Specifications are subject to change without notice.



Beta Three

H215